



Cadillac 1980
An American standard for the world.

*Fleetwood Brougham • Coupe de Ville • Sedan de Ville
Eldorado • Cadillac Limousines
Seville for the 80's*



What makes a Cadillac a Cadillac.

The quest continues.

Through the years, Cadillac has earned for itself an exclusive place . . . a solitary niche . . . in the pantheon of the world's truly fine automobiles. Cadillac's outstanding attributes are many. Classic styling. Renowned comfort. Innovative engineering. Exacting craftsmanship. Superb luxury. But the hallmark of Cadillac's reputation has always been—and will

always be—an unswerving quest for quality. That's why for more than 75 years, Cadillac has been a symbol of excellence. The only way to get everything a Cadillac has to offer is to get the automobile that carries the name. Here now are the Cadillacs of cars for 1980—the most advanced Cadillacs ever built.



A legend is born.

Back at the turn of the century, Cadillac stood the infant auto industry on its axle. By being first to achieve interchangeability through the standardization of parts. A feat for which Cadillac became the first American car to win the Dewar Trophy . . . perhaps the most coveted award of the early automotive world. A few years later, Cadillac introduced electric self-starting, lighting and ignition—and was awarded its second Dewar. The first and only car in the world to ever win this most prestigious award twice.

Right for then . . . right for now.

In each generation, there has been a Cadillac right for its day. A car that expressed success for its time. Today, there are the magnificent new DeVilles and Fleetwood Brougham, Eldorado and Seville for the 80's. Cars of classic Cadillac elegance through and through. Yet, engineered for the demands of today's driving. These are luxury cars you can feel good about owning . . . and driving.

Beauty follows function.

More than beautiful, Cadillac's unmistakable styling has its practical rewards

as well. The restyled Fleetwood Brougham and DeVilles, for example. With a more formal roofline that helps increase rear seat roominess . . . and a handsome new grille that helps increase aerodynamic efficiency. The flush-mounted windshield on Eldorado and Seville both adds flair and helps reduce wind noise. And Seville has more trunk space this year due in part to a styling tour de force . . . its dramatic new deck lid treatment.

Advanced automotive electronics.

Electronic innovations have been a Cadillac strength since the days when Cadillac was pioneering electric self-starting. Today, examples abound. There is Cadillac's exclusive new Digital Electronic Fuel Injected Engine with Self-Diagnosis—a computerized system that helps eliminate guesswork from servicing. (This advanced engine is standard on Eldorado . . . available at no extra charge on Seville.) Another exclusive new electronic innovation: Cadillac's available three-channel garage door opener that provides for separate operation of as many as three different doors and gates.

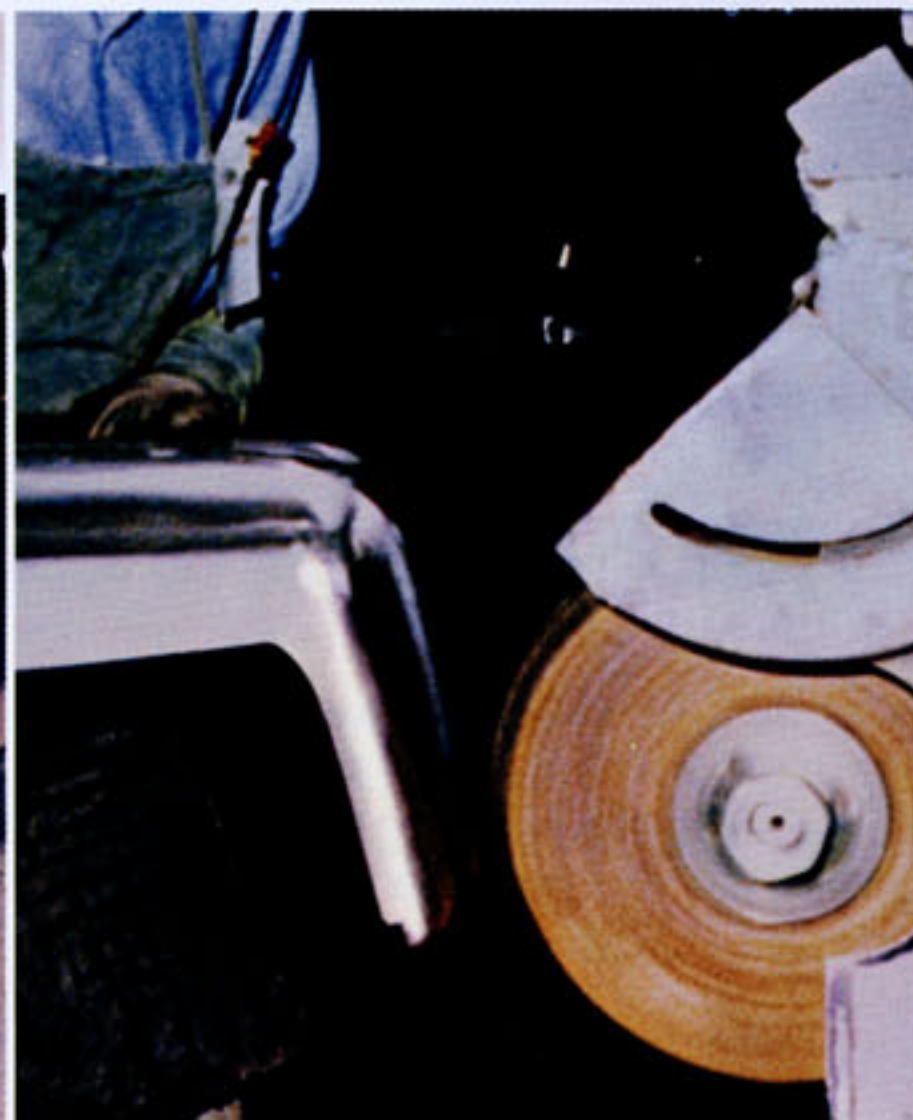
Cadillac means care.

You can see it in evident abundance in the superb attention to detail

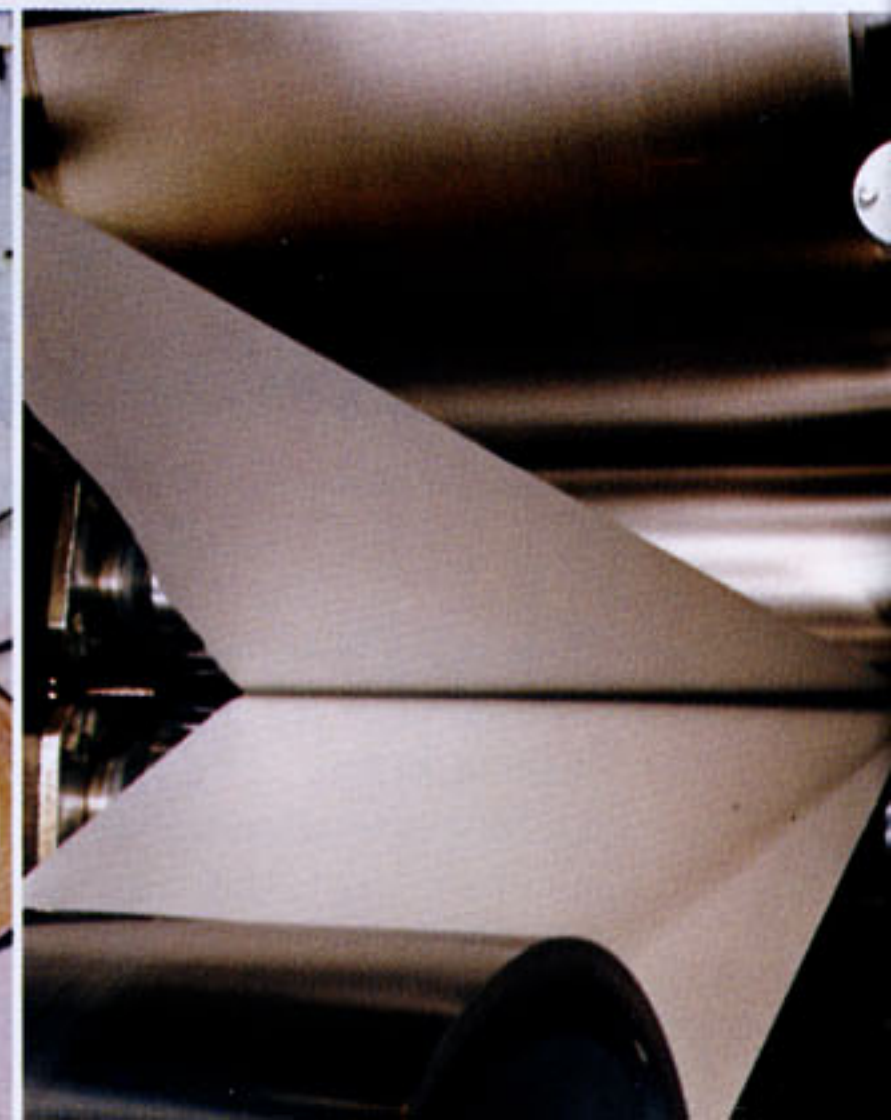
Evaluating Cadillac's refined suspension system for 1980.



Buffing of Cadillac's triple-plated bumpers.



Manufacturing bi-metal moldings for corrosion protection.



throughout a Cadillac. Like the deep lustrous paint finish. Cadillac makes extensive use of wet sanding and oil sanding to bring about the brilliant gloss and shine inherent in the steel and paint. Cadillac's quality appearance is further enhanced by its triple-plated bumpers. During the manufacturing process, Cadillac completely buffs every one of its bumpers . . . twice. Those Cadillac touches: little things that help make a big difference.

Quality that endures.

The 1980 Cadillacs have the most extensive corrosion protection in Cadillac history. Cadillac's unprecedented protection includes over 100 specially treated areas on every model. For instance, all lower body exterior panels are made from pre-coated metals. All places of metal-to-metal contact are protected by gaskets or bi-metal moldings. And all Cadillac bodies are dipped in electrically charged paint primer to form a magnetic-like bond of adhesion. All these extensive measures to help your Cadillac retain its classic beauty.

Total Cadillac Value.

This is the value inherent in every 1980 Cadillac. When you buy it. When you drive it. When you trade it. Cadillac represents a remarkably fine automotive investment, all things considered. There's Cadillac resale value. Its sheer comfort and pleasure. Its many standard luxury features. That once you're in the club of Cadillac owners, it may cost less than you expect to stay in. Total Cadillac Value is everything that makes Cadillac 1980 . . . an American standard for the world.

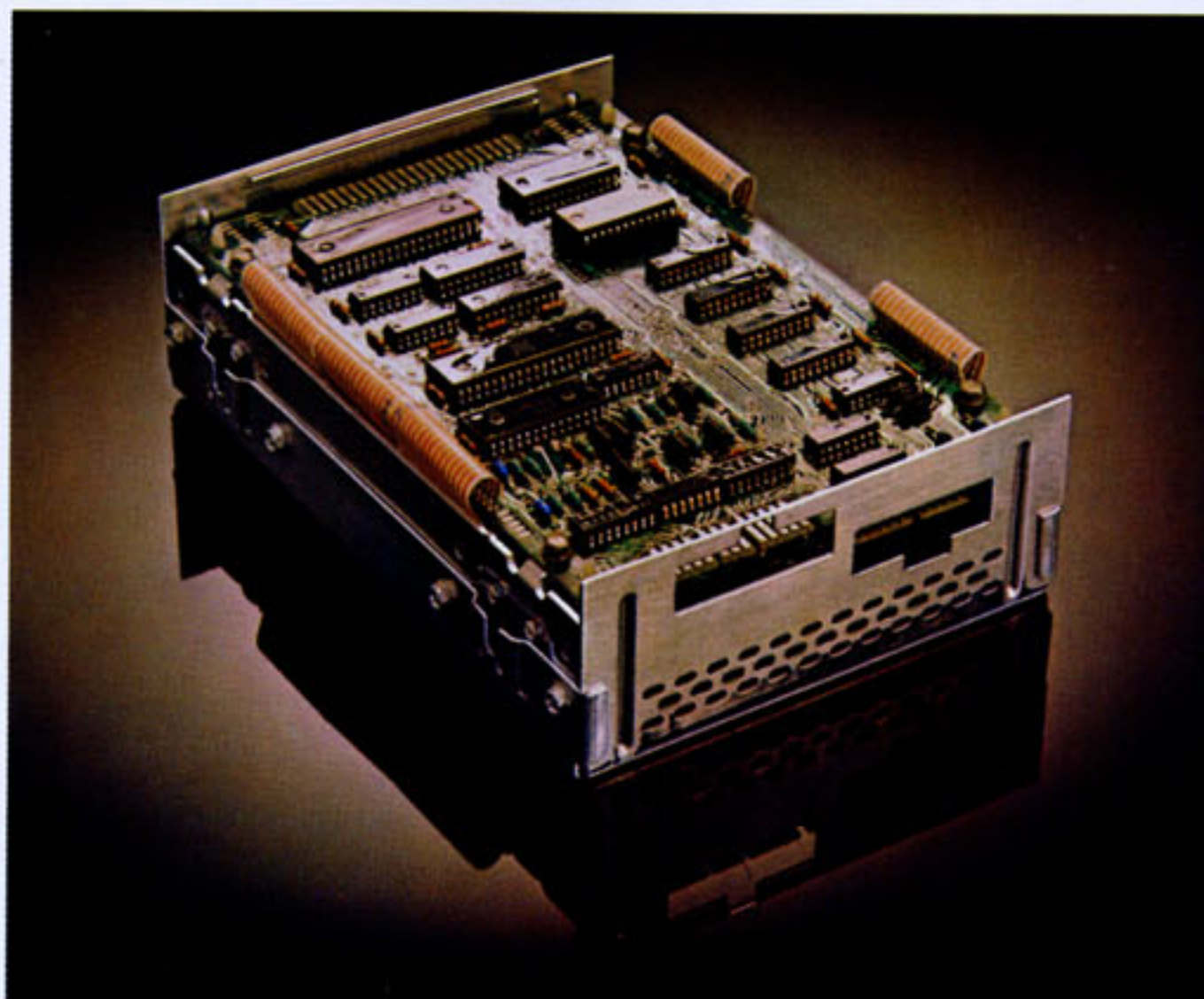
A word about this catalog:

We have tried to make this catalog as comprehensive and factual as possible. And we hope you find it helpful. However, since the time of printing, some of the information you'll find here may have been updated. Your dealer has details, and, before ordering, you should ask him to bring you up to date. Some of the equipment shown and described in this catalog is available at extra cost. Check with your Cadillac dealer for complete information.

Cadillac . . . only two-time winner of Dewar Trophy for automotive excellence.



Versatile computer on Cadillac's exclusive Digital Electronic Fuel Injected Engine with Self-Diagnosis.



Wind Tunnel testing for aerodynamic efficiency.





The Fleetwood Brougham

In the proud Fleetwood tradition . . .

From its new exterior styling to its spacious luxury interior, the 1980 Fleetwood Brougham continues to be "the Cadillac of Cadillacs" . . . one of the world's great sedans. Altogether fitting for the car is its new limousine-style rear window for increased privacy. As well as the new electro luminescent opera lamp in the center pillar. Handsome new wheel covers. And new exterior trim with a distinctive wide rocker molding. Plus, of course, the

stand-up wreath and crest. Inside, almost every luxury feature is standard . . . including Twilight Sentinel that automatically turns headlights on and off . . . illuminated entry system . . . and six-way power—driver and passenger—Dual Comfort front seating (seats three people) with power recliners available and manual recliner on the passenger's side. (Fleetwood Brougham shown left in Desert Sand Firemist with matching Elk Grain vinyl roof.)



The Fleetwood touch is equally evident inside. With extra thick carpeting. Adjustable rear seat reading lamps. Massive pull handles for doors. Tilt and Telescoping Steering Wheel. Standard on the 1980 Fleetwood Brougham is Heather, a rich knit material with Raphael inserts. It's offered in Slate Gray, Dark Blue, Dark Green, Saddle, Light Beige and Dark Claret. Shown is an available Saddle interior with genuine leather for the seating areas. Nine other shades of leather are also available.

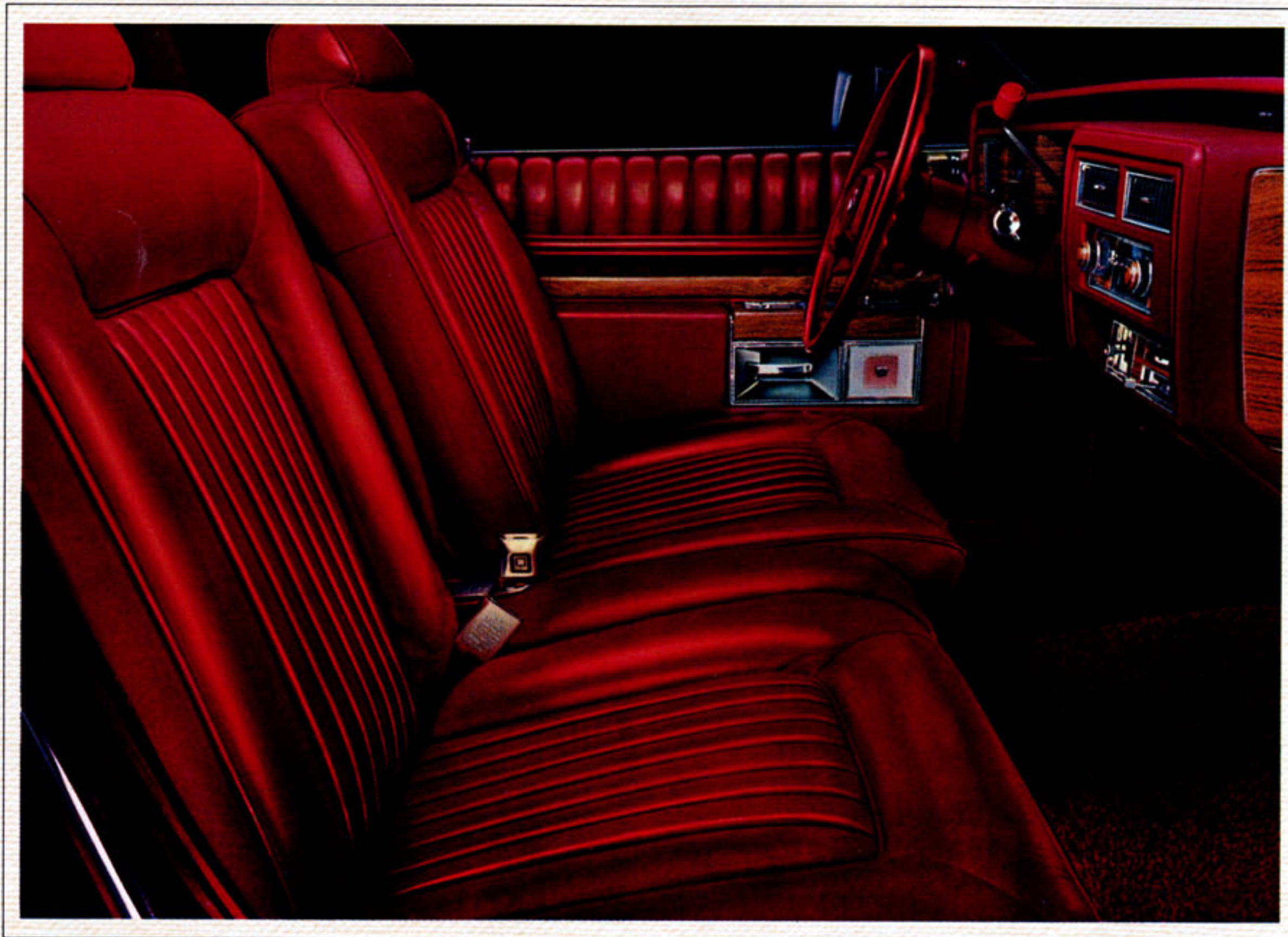


The Coupe deVille

Destined to be America's favorite luxury car again...

Long. Low. Lovely. And beautifully in tune with the times. Because the stylish new roof profile of the Coupe deVille has an added benefit... permitting two more inches of rear seat legroom and better knee clearance than last year's counterpart. Another case in point: the new front end. Its aerodynamic design was fine tuned in a wind tunnel to minimize its drag co-efficient. But it's Cadillac's long-time strengths that will impress you the

most. That Cadillac ride—redefined anew for 1980. That Cadillac quiet—with sophisticated sound absorption. That sporty look that makes Coupe deVille the Cadillac for the young at heart. Plus even more luxury features that are standard for 1980. Including a convex remote control right side mirror. Handsome instrument panel with simulated teak. And more. (Coupe deVille shown left in Saxony Red with White Cabriolet vinyl roof.)



Relax in the spaciousness of your Coupe deVille enjoying your choice of any of three distinctive kinds of interiors. There are six colors of Durand knit cloth with Renaissance velour inserts. Or Venetian velour in any of four colors if you order the DeVille d'Elegance (see Pages 14-15). Or you may choose to order any of 10 color variations with leather in seating areas, including Dark Carmine shown.



The Sedan deVille

Right for the times and every inch a Cadillac . . .

With family-sized luxury and four-door convenience, the 1980 Sedan deVille combines traditional Cadillac comfort with factors that can make it an exceptional value. Such as the most extensive corrosion protection in Cadillac history. Plus a list of standard features even longer than last year. You may choose either Cadillac's exclusive 6.0 liter gasoline-powered standard engine or the available 5.7 liter fuel-injection Diesel V8. Other features available to

the Sedan deVille owner include an Astrorooft. Heated side mirrors available with rear window defogger. (Both left- and right-hand side mirrors are now standard.) And a three-channel garage door opener that provides for separate operation of as many as three different doors and gates. As well as an advanced theft deterrent system. (Sedan deVille shown left in Steel Blue with matching Elk Grain vinyl roof.)



Increased roominess over last year, highlighted by 2" more rear legroom, greets the new Sedan deVille owner. As well as all the luxury and convenience he or she expects of Cadillac. The interior shown features Dark Blue Durand knit with Renaissance velour inserts. Five other colors are available or select any of 10 available shades of leather for seating areas. Or you may choose Venetian velour when you order a DeVille d'Elegance.

Standard Features

for DeVilles, Fleetwood Brougham and Limousines.

Handsome, Functionally Coordinated Instrument Panel. Driver-only controls on the left . . . information readout across the top . . . and center area for shared controls. Headlight dimmer switch now mounted on turn signal indicator for greater convenience.

Automatic Climate Control. Heating/Cooling/Ventilating system maintains selected temperature . . . designed so the compressor operates only when necessary.

Digital Display AM/FM Electronically Tuned Stereo Radio with Signal Seeker and Scanner. Features digital display of time of day and radio frequencies. Signal seeking and scanning capability. Crystal-controlled frequency synthesizer for drift-free reception. Effortless touch-button electronic tuning. All models.

Power Steering. Easy parking and cornering.

Cornering Lights. Project light from side of car when turning.

Front-Wheel Disc Brakes. Power self-adjusting front-wheel disc and rear-wheel drum brakes are standard.

Lamp Monitors. Show if major and secondary outside lights are functioning.

Power Windows. Can be operated individually or with master control on driver's door armrest.

Fully Automatic Power Antenna. Raises automatically. Retracts automatically when either radio or ignition is turned off.

Remote Control Outside Mirrors. Standard on all models. Convex on right side . . . for impressive field of view.

Six-Way Power Seat Adjuster on Driver Side. Adjusts seat forward, back, up, down and tilts forward and back. All models, also standard on passenger side for Fleetwood Brougham (except Formal Limousine).

Mass-Backed Carpet. With an acoustic barrier-absorber bonded directly to the carpet.

Front Seatback Map Pockets.

Power Door Locks. Can be operated individually or with master control (Formal Limousine differs.)

Cloth-Trimmed Rear Compartment Shelf.

Tungsten Halogen Highbeam Headlamps. Provide increased illumination and better focus on high beam without additional power requirements.

Three-Speed Wipers and Washers. "Mist" position for single-wipe action.

New Dual-Spot Map Lamps/Courtesy Lights. With sunshade support and storage space for available garage door opener control.

Dual Comfort Front Seats. 45/55 (seat three people) standard on Fleetwood Brougham, available on DeVilles. They allow six-way power adjustment for driver and front passengers. Power recliners available for driver and passenger sides (not available for Limousines). 40/40 seats standard on Formal Limousine.

"Free-Wheeling" Lap Belts. Allow access to wallet, change, etc. without having to release seat belt. Reduced noise for retractors.

Accent Striping. Standard on Limousines, Fleetwood Brougham and Special Editions (except Cabriolet), available on DeVilles.

Seat Belt Chimes. Courteously urge you to buckle up.

High Energy Ignition System. No points, ignition condenser, cam or rubbing block.

All-New 6.0 Liter Engine. For reduced friction, lower weight, cold-starting driveability and fewer emissions.

Opera Lamps. New electro luminescent type standard on Fleetwood Brougham. Conventional type standard on Limousines and Coupe deVille d'Elegance.

Freedom[®] II Battery. Never needs water.

Soft Ray Glass. All models.

New Wheel Covers. Chrome with crest on dark red background for DeVilles. Chrome, vanned, with wreath and crest on dark red background for Fleetwood Brougham and Limousines.

Spacious Trunk. For all models. Includes compact, pre-inflated spare tire (except Limousines).

Also standard are: Push-to-reset Trip Odometer. Inside Hood Release. Automatic Parking Brake Release. Color-Keyed Litter Container. Washer Fluid Indicator Light. Center Armrests. Visor Vanity Mirror on passenger side. Automatic Transmission. Steel-Belted, Wide Whitewall Radial Tires.



Functionally coordinated instrument panel simulating the handsome look of teak.



New opera lamp for Fleetwood Brougham.



Automatic Climate Control.



Power control panel on the driver's door armrest.



One of the standard features Cadillac owners take for granted ... a spacious trunk.

Features Available

for DeVilles, Fleetwood Brougham and Limousines.

Long Distance Cruise Package. Includes 25 gallon fuel tank and Electronic Cruise Control.

5.7 Liter Fuel-Injected Diesel V8. See special section on diesel power, Page 29. Not available for Limousines.

Theft-Deterrent System. With new starter disabling feature. Also sounds horn repeatedly and flashes exterior lights when door, hood or trunk integrity is violated.

Astorroof. Glass panel in a choice of colors lets sunshine in even when closed. Adjustable sunshade. (Will reduce headroom.) Special order for Limousines.

Vinyl Roof. Fifteen available colors in padded Elk Grain. Standard on Fleetwood Brougham and Limousines.

Electrically Controlled Mirrors. Right and left side mirrors can be controlled precisely and remotely. Includes illuminated thermometer on driver's side mirror.

Rear Window Defogger with Heated Outside Mirrors.

Two-Tone Exteriors. Six combinations available. With color-coordinated accent striping. Not available for Fleetwood Brougham or Limousines.

Illuminated Entry System. Pushing front door handle button illuminates door lock keyholes, courtesy lights. Standard with Fleetwood Brougham.

Illuminated Vanity Mirrors. Vanity mirrors for passenger and driver illuminate when covers are raised.

Fuel Monitor System. Color-coded lights on instrument panel indicate relative fuel use. Not available with diesel.

Dual Comfort 45/55 Front Seats. Seat three people. Available with DeVilles. Standard with Fleetwood Brougham. Includes passenger power seat adjuster. Not available for Limousines.

Power Recliner Driver Seat. Available for all Dual Comfort Seats (except Formal Limousines).

Power Recliner Passenger Seat. Available for all Dual Comfort seating. Available for DeVille's notchback-type seats.

Opera Lamps. Available for DeVilles, standard on Coupe deVille d'Elegance, Fleetwood Brougham and Limousines.

Wire Wheels. Chrome-plated spoke wheels. Incorporate locking device. Not available with Limousines.

Wire Wheel Covers. With locking device. Not available with Limousines.

Turbine-Vaned Wheel Covers. Handsome brushed chrome with distinctive ornamentation. Available for DeVilles only.

Electronic Cruise Control. Turn-signal-lever-mounted cruise control includes "Resume" and "Advance" for flexibility of speed selection and adjustment.

Twilight Sentinel. Automatically turns headlights on and off in response to outside lighting conditions. Also turns lights off after an adjustable time delay. Standard with Fleetwood Brougham.

Guide-Matic Headlamp Control. Automatically dims lights at night with approach of oncoming cars, then returns lights to high beam.

Controlled Cycle Wiper System. Delay feature adjusts wiping action for light rain or other conditions. Includes "mist" position. Standard on Fleetwood Brougham.

Heavy-Duty Chassis Package. Includes Electronic Level Control, heavy-duty shock absorbers and rear stabilizer (not available on Limousines).

Trailing Package. Ask your dealer for details. Not available for Limousines.

Limited Slip Differential. Directs power to wheel having better traction.

Power Trunk Lock and Pull-Down. With ignition on, a light touch of trunk lock button located inside glove box causes the trunk to open. Also includes a quiet pull-down closing feature. Standard with Fleetwood Brougham.

Tilt and Telescope Steering Wheel. Swings up for easy entry and exit. Also slides in and out for individual driver comfort. Standard on Fleetwood Brougham and Fleetwood Formal Limousine.



Astorroof.

Interiors with leather in seating areas. Ten trim combinations. Special Order for Limousine.

Firemist Paints. Rich color, deep luster and high gloss. Five colors.

Carpeted Floor Mats. Available front and rear. Front only for Limousines.

Accent Striping. Standard on Limousines and Fleetwood Brougham.

Electronic Level Control. Standard with Limousines.

Automatic Door Locks.

Door Edge Guards.

License Plate Mounting Provision. No charge feature.

Front and Rear License Frames.

Trumpet Horn.

100-Amp. Generator.

Heavy-Duty Cooling. Standard on Limousines.

New Three-Channel Garage Door Opener. Provides for separate operation of as many as three different doors and gates.

Radio and Sound Selection.

New Combination Cassette Player and Built-In Citizens Band Radio with AM/FM Stereo Radio including Signal Seeker, Scanner and Digital Display. Digital Display also identifies CB channel being monitored. Four push buttons may be set for CB channels, along with four AM and four FM stations. Pushing Scan button samples pre-set CB channels, while pushing Seek button previews all CB channels. Also includes CB Squelch and Monitor controls.

Cassette Player with AM/FM Stereo Radio including Signal Seeker, Scanner and Digital Display.

40-Channel Citizens Band Radio and 8-Track Tape Player with AM/FM Stereo Radio including Signal Seeker, Scanner and Digital Display. (CB Digital Display features described above.)

8-Track Tape Player with AM/FM Stereo Radio including Signal Seeker, Scanner and Digital Display.

40-Channel Citizens Band Radio with AM/FM Stereo Radio including Signal Seeker, Scanner and Digital Display. (CB Digital Display features described above.)

Rear Control for AM/FM Stereo Radio including Signal Seeker, Scanner and Digital Display. (Limousines only.)

Comprehensive GM Continuous Protection Plan. Additional service protection to that provided by GM's new vehicle limited warranty. Only in U.S. and Canada. See your Cadillac dealer for details.

Puncture Sealing Tires. Prevents most tread punctures from causing flat tires. (Except Limousines.)



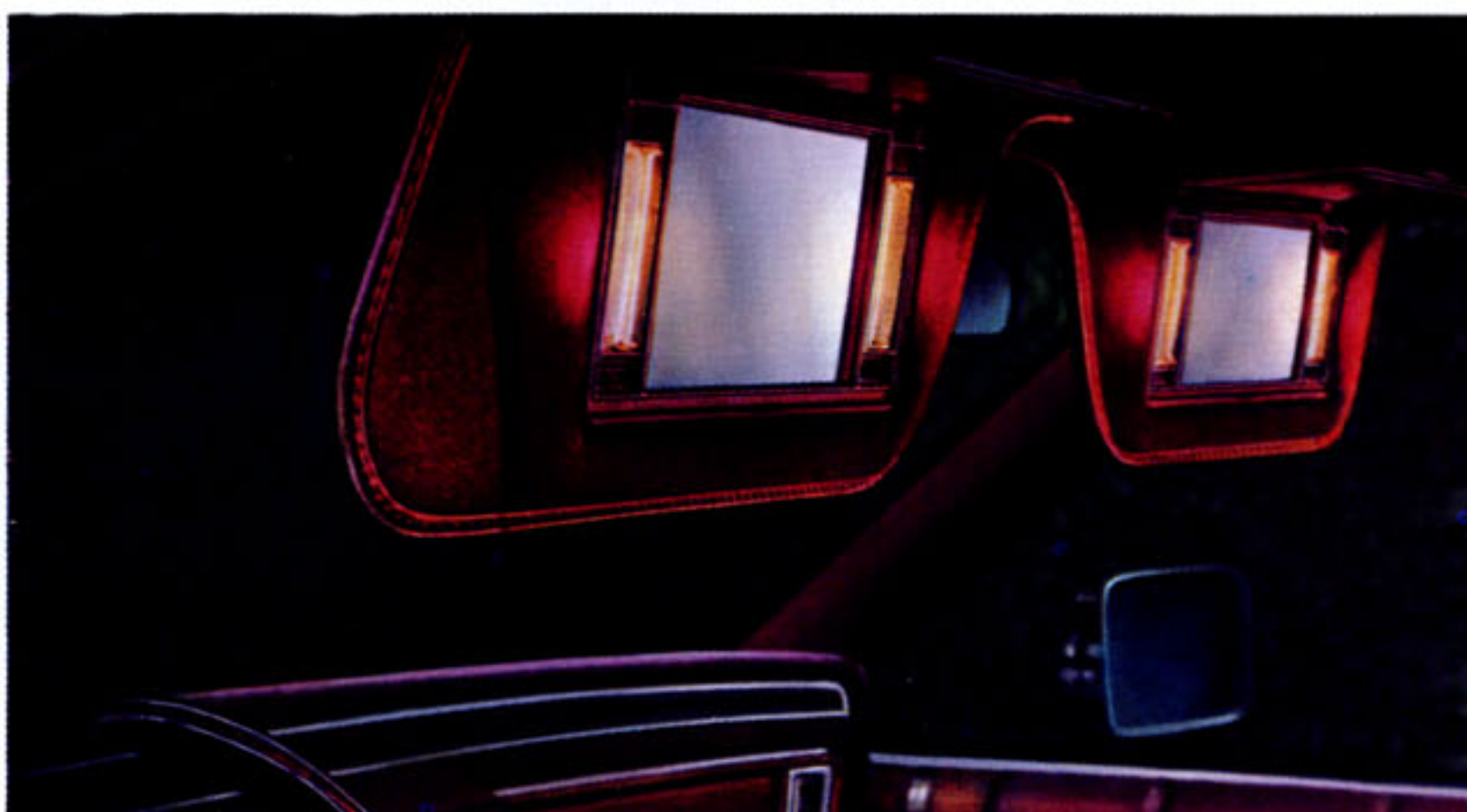
Illuminated Entry System.



New Three-Channel Garage Door Opener.



Wire Wheel Covers.



Illuminated Vanity Mirrors.

Special Editions...

of the DeVilles and Fleetwood Brougham.

A delightful way to assert your individuality... Cadillac Special Editions are a further expression of your luxury of choice.



Sail panel ornamentation of Brougham d'Elegance.

Brougham d'Elegance

Perhaps the nature of the 1980 Brougham d'Elegance is best defined by the new privacy window treatment shown below. As you can see, the rear quarter panel wraps around to a limousine-like rear window. Embellishments for the exterior also include a D'Elegance script designation. Inside, you may select the subtleties of available genuine leather for the seating areas with standard 50/50 Dual Comfort seats (seat three people). The leather is available in Light Beige, Slate Gray, Saddle, Dark Blue and Dark Claret. Or you may choose the standard pillow-style seating that combines Heather and Raphael knits in a look of pure elegance. Color selection available



Brougham d'Elegance interior with Dark Claret Leather in seating areas.



includes Slate Gray, Dark Blue, Saddle, Dark Claret and Light Beige. Complementary shades of plush Tampico carpeting with deluxe carpeted floor mats make the setting complete. Also included are roof-mounted assist straps and "Brougham d'Elegance" script on glove box.

DeVille d'Elegance

The ultimate expression of DeVille luxury features pillow-style seating of soft Venetian velour for 1980. This plush, textured material is available in four select shades: Slate Gray, Light Beige, Dark Claret and Dark Blue. Beneath rich fabric . . . there's the relaxing feel of 50/50 Dual Comfort front seating (seats three people). Luxurious Tampico carpeting graces the

lower area door to door. All this along with three roof-mounted assist straps in the Sedan, special door pull handles and a "DeVille d'Elegance" script on the glove box. Outside, accent stripes enhance the profile, while opera lamps (standard with Coupe, available with Sedan) and a script designation serve notice that this is a unique expression of luxury.

Cabriolet

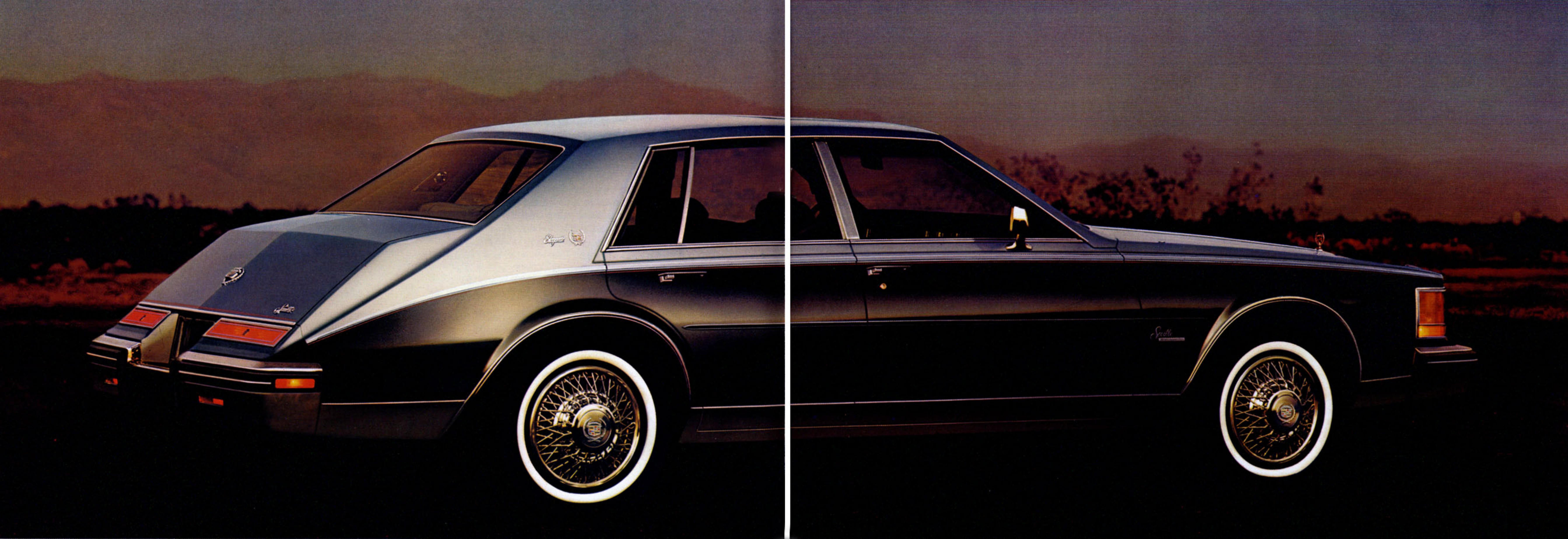
Available only for Coupe DeVille, and shown on page 6, this dramatic roof treatment combines a gleaming chrome crossover roof molding with a selection of 15 available colors of Elk Grain vinyl. A French seam surrounds the rear window to provide a look of distinction.



Light Beige Heather knit fabric in Brougham d'Elegance.



DeVille d'Elegance interior in Dark Blue Venetian Velour.



Seville Elegante in Sable Black and Sheffield Gray Firemist with Digital EFI.

Introducing Seville for the 80's

First American car with Diesel as standard.



Spacious Seville Interior shown with available Saddle Leather in seating areas.

Seville...quite possibly the most distinctive car in the world today...and the most advanced.

This is Seville for the 80's. A masterwork of classical and contemporary elements united in an undeniably beautiful automobile. Almost every feature you might desire in a world-class luxury car is present, from front-wheel drive for traction and roominess to electronic level control and four-wheel independent suspension. Totally redesigned for 1980, this new Seville offers considerably more interior room than its predecessor, with considerably more trunk space. Among all the world's great cars, only Seville gives you the choice between a standard 5.7 liter diesel V8 or Cadillac's exclusive 6.0 liter gasoline-powered V8 engine with Digital Electronic Fuel Injection ... or 5.7 liter EFI engine for California ... at no additional cost.

STANDARD FEATURES

5.7 Liter Fuel-Injected Diesel V8 Engine. The first diesel V8 engine as standard equipment on any American production car. Provides impressive acceleration for a diesel. See Page 29.

6.0 Liter Gasoline-Powered V8 with Digital Electronic Fuel Injection. A no-cost option, this Cadillac exclusive utilizes a new, more sophisticated form of EFI to maintain constant idle speed. It reacts with digital accuracy to changes in environmental conditions, even compensating for the aging of parts.

5.7 Liter EFI V8. For California.

Front-Wheel Drive. Provides impressive traction in a wide variety of weather conditions. There's added roominess, too, since the floor is virtually flat with front-wheel drive.

Four-Wheel Independent Suspension. Each wheel reacts independently to road variations for a smooth and confident Cadillac ride. New rear suspension also contributes to rear seat roominess and additional trunk space compared to earlier Seville.

Four-Wheel Disc Brakes. Automatically adjust with every application. Audible wear signal triggered when pads need replacement.

Electronic Level Control. Automatically adjusts to changing loads.

New On-Board Computer Diagnostics. For Digital EFI only. Helps take the guesswork out of locating and servicing problem areas.

New Electronic Climate Control System. Precision temperature control setting to a single degree.

Electronic Cruise Control.

MPG Sentinel. With Digital EFI.

Rear Window Defogger with Heated Outside Mirrors.

16 Exterior Finishes. Seville is available in a selection of 16 wear-resistant, high-gloss acrylic lacquer finishes. Accent striping.

Twilight Sentinel. Automatically turns lights on and off in response to outside lighting conditions. Also turns lights off after an adjustable time delay.

Electrically Controlled Outside Mirrors. With illuminated thermometer.

Low Fuel Indicator.

Fuel Economy Lights. With 5.7 liter EFI only.

50/45 Dual Comfort Front Seating. Seats two people. Any one of six shades of Heather cloth are standard.

Side Window Defoggers. For added convenience.

Tungsten Halogen Highbeam Headlamps. For improved illumination.

Electric Trunk Release and Power Pull-Down.

New Flush-Mounted Windshield. Helps reduce wind noise.

Power Door Locks and Power Windows. Can be operated individually or with master control on driver's door armrest.

Tilt and Telescope Steering Wheel.

Steel-Belted, Wide-Whitewall Radial Tires.

Three-Speed Controlled Cycle Wiper System with Washer

Fluid Low-Level Indicator. Delay feature adjusts for light rain or other special conditions. Light on instrument panel shows when fluid level is low.

Lamp Monitors. Show if outside light systems are functioning.

Seat Belt Chimes. Courteously urge you to buckle up.

High-Pile Carpeting. With added sound insulation.

Soft-Ray Glass.

Cloth-Trimmed Rear Compartment Shelf.
Side and Deck Lid Accent Stripes.
Litter Container.

New High-Pressure Compact Spare Tire. Requires no inflation.
Color-Coordinated Spare Tire Cover and Trunk Carpeting.
Including trunk lid.

Illuminated Entry System. Pushing front door handle activates "halo" lens around key-lock and turns on courtesy lights.

Cast Aluminum Wheels.

Illuminated Vanity Mirrors. For driver and passenger.

Power Reclining Passenger Seat.

Automatic Brake Release. Releases parking brake when car is put in gear.

Bumper Impact Strips.

Automatic Transmission.

80-Amp Generator.

Quick-Ratio Power Steering.

New Functionally Coordinated Instrument Panel. Driver-only controls on the left, shared controls on the right.

New Space-Efficient Design. With more headroom and legroom than its predecessor. And considerably more useable trunk space.

Electronically Tuned Digital Display AM/FM Stereo Seek and Scan Radio with Power Antenna. Superb sound reproduction.

New Dual-Spot Map Lamps/Courtesy Lights. With sunshade support and storage space for available garage door opener control.

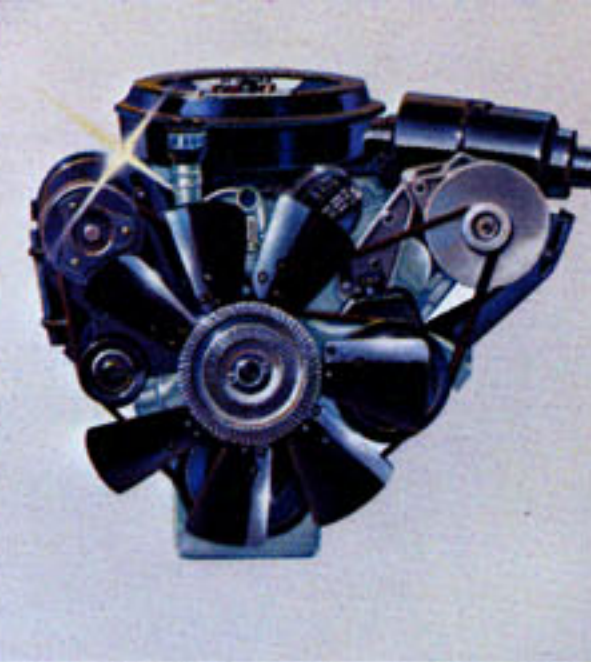
Rear Seat Reading Lamps.

Push-To-Reset Trip Odometer.

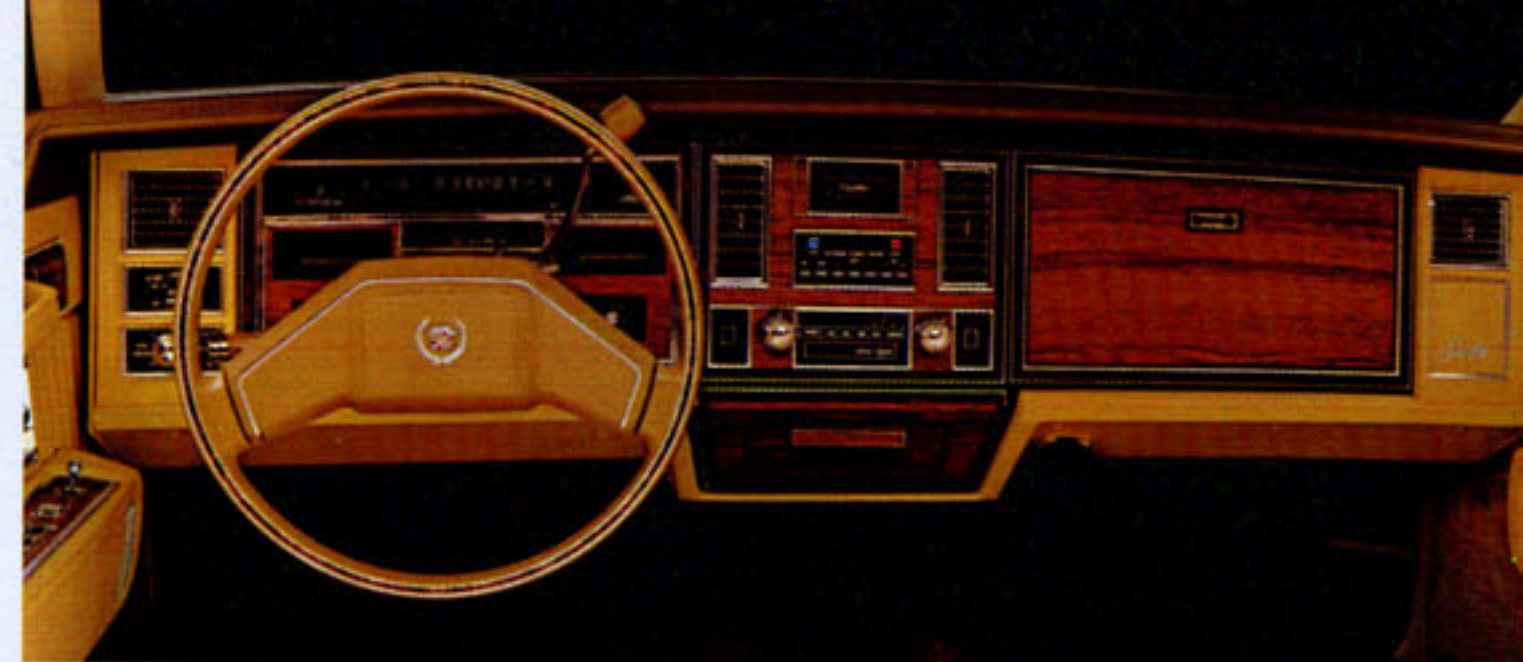
FEATURES AVAILABLE

6.0 liter gasoline-powered V8 with Digital Electronic Fuel Injection and Idle Speed Control (no cost option) • 5.7 liter gasoline-powered V8 EFI for California (no cost option) • Genuine Leather for Seating Areas (10 shades available) • Firemist Paints for Exterior (5 shades available) • Astrorooftop (will reduce headroom) • Radio and Sound Selection—New Combination Cassette Player and Built-In Citizens Band Radio with AM/FM Stereo Radio including Signal Seeker, Scanner and Digital Display. Digital Display also identifies CB channel being monitored. Four push buttons may be set for CB channels, along with four AM and four FM stations. Pushing Scan button samples pre-set CB channels, while pushing Seek button previews all CB channels. Also includes CB Squelch and Monitor controls • Cassette Player with AM/FM Stereo Radio including Signal Seeker, Scanner and Digital Display • 40-Channel Citizens Band Radio and 8-Track Tape Player with AM/FM Stereo Radio including Signal Seeker, Scanner and Digital Display. (CB Digital Display features described above.) • 8-Track Tape Player with AM/FM Stereo Radio including Signal Seeker, Scanner and Digital Display. • 40-Channel Citizens Band Radio with AM/FM Stereo Radio including Signal Seeker, Scanner and Digital Display. (CB Digital Display features described above.) • Power Recliner for Driver's Seat • Guide-Matic Headlamp Control • Automatic Door Locks • Theft-Deterrent System • Three-Channel Garage Door Opener • Engine Block Heater (standard with diesel) • Trailing Package • Heavy-Duty Cooling System • 100-Amp Generator • Comprehensive GM Continuous Protection Plan (See your Cadillac dealer for complete details.) • Puncture Sealing Tires • Sport Handling Package

Seville in available Western Saddle Firemist.



Standard 5.7 Liter Fuel-Injected Diesel V8.



Simulated Teak Woodgrain Panel inlaid with the appearance of Butterfly Walnut.



Standard Interior with Dark Blue Heather Cloth.



14.5 Cubic Feet of Trunk Space.



New Grille with Stand-Up Wreath and Crest.



Seville... Quality and craftsmanship.

New Side Window Defoggers.

More headroom, rear, and legroom, front and rear, than earlier Seville.

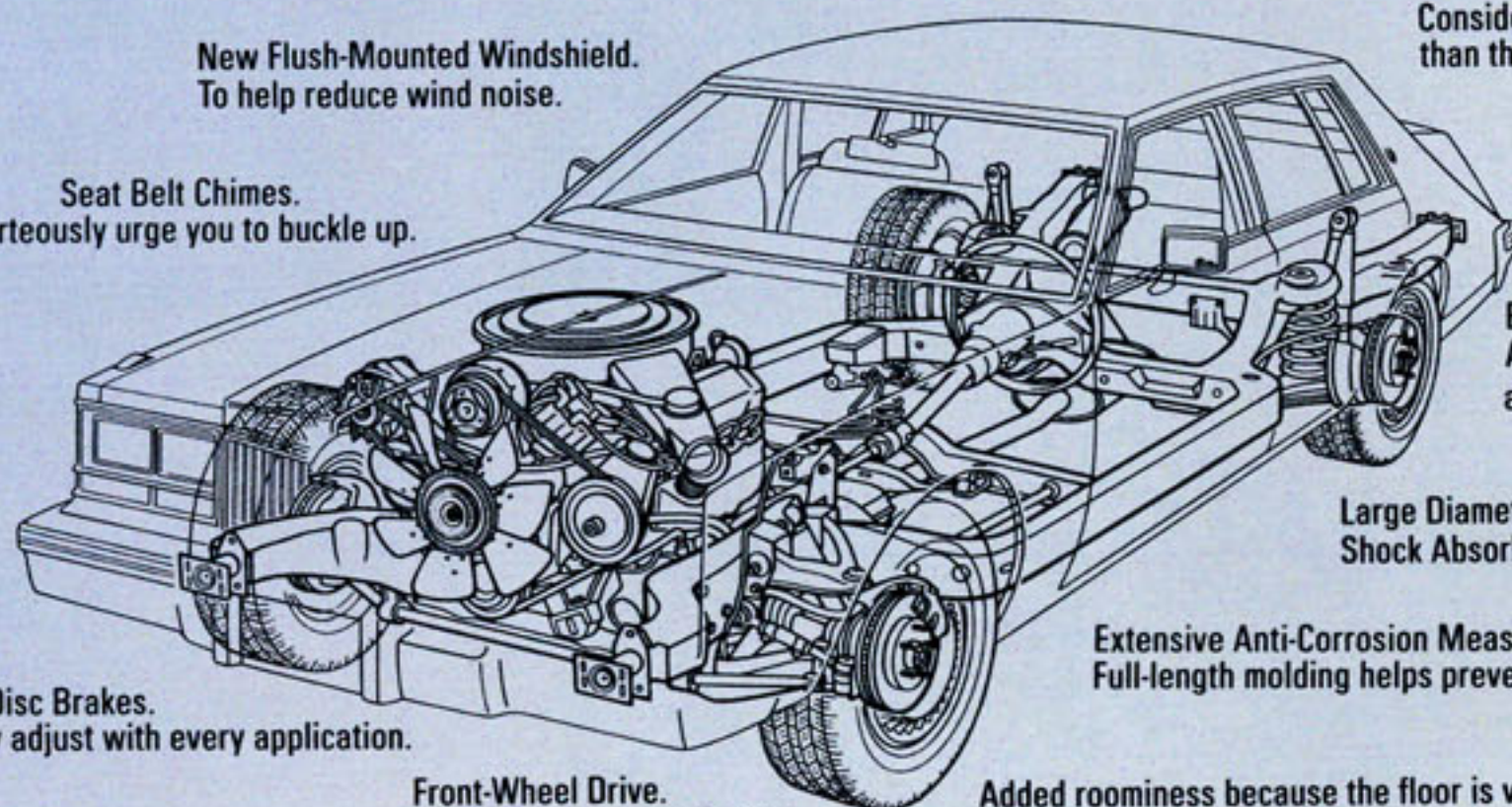
Extensive handwork on body finishing.

New Flush-Mounted Windshield. To help reduce wind noise.

Considerably more useable trunk space than the earlier Seville.

Seat Belt Chimes. Courteously urge you to buckle up.

New One-Piece High-Strength Rear Bumper.



Electronic Level Control. Adjusts to changing loads automatically.

Large Diameter Pliacell Shock Absorbers.

Extensive Anti-Corrosion Measures. Full-length molding helps prevent stone chipping.

Four-Wheel Disc Brakes. Automatically adjust with every application.

Front-Wheel Drive. Provides impressive traction.

Added roominess because the floor is virtually flat with front-wheel drive.

New Four-Wheel Independent Suspension. For a smooth, confident Cadillac ride.

Wheelbase 114.0"

Overall Length 204.8"

Seville for the 80's. It is, perhaps, the most distinctive car in the world today. But beyond that, it is a Cadillac... and shares in the time-honored Cadillac traditions of craftsmanship and quality.

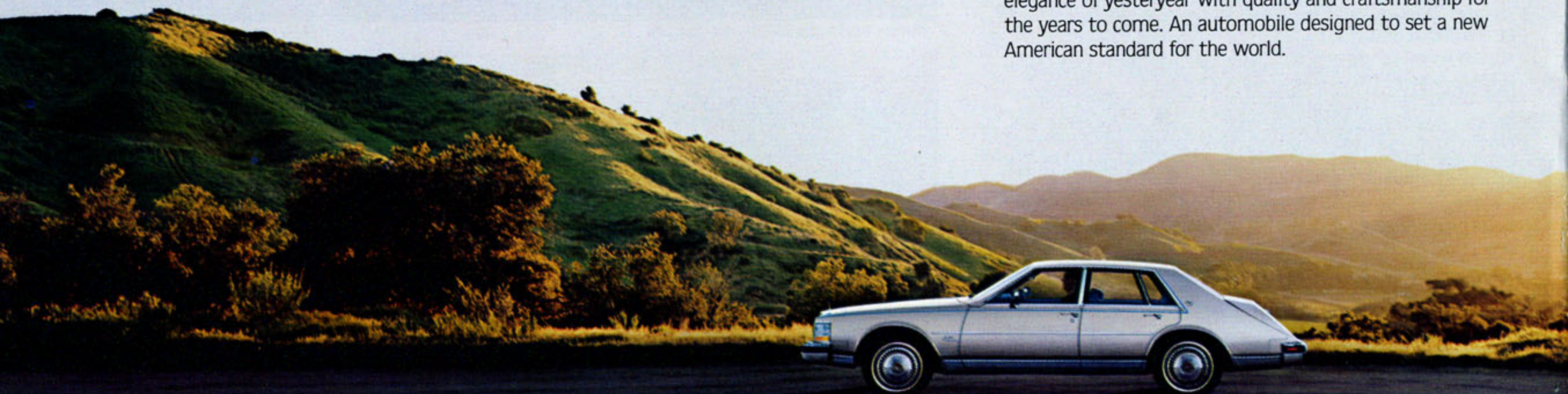
It is an automobile designed for dependable service in virtually all kinds of weather. With front-wheel drive to help pull you through on snowy roads and wet highways. With four-wheel disc brakes for responsive stopping power. With engines built to meet the rigorous demands of the long roads ahead.

This new Seville is an automobile designed to please. With over 75 pounds of insulation between passengers and the noise-filled world outside. An Electronic Climate Control system with digital sensor accuracy to provide temperature adjustment to a single degree. Four-wheel independent suspension absorbs minor bumps and jolts, virtually ignores bothersome chuckholes.

Seville is an automobile designed for use. There's more front seat legroom than last year, with considerably more legroom and 3.4 inches more hiproom in the rear seat area. Useable trunk space is significantly greater than that of the earlier Seville. Even the turning radius is over three feet shorter. All on a frame that is nearly identical in length and wheelbase.

Seville is also an automobile designed to endure. With extensive anti-corrosion measures, including a full-length molding that helps protect against stones bouncing up off the pavement, Zincrometal* in key areas, flood wax treatment of the entire frame, Plastisol at formed flanges and gaskets that eliminate metal to metal contact. Over 100 areas in all are subject to Cadillac's special anti-corrosion treatment, the most extensive in Cadillac history.

Seville for the 80's. An automobile that blends the classic elegance of yesteryear with quality and craftsmanship for the years to come. An automobile designed to set a new American standard for the world.





Seville Elegante

This is the most elegant of Sevilles. A sweeping French curve of lustrous two-tone lacquer accentuates and adds dimension to the distinctive new profile. Chrome-plated Elegante script designations grace the sail panels. Chrome-plated wire wheel covers are available at no extra cost. Accent striping and stand-up wreath and crest add significant detail to the overall design. Seville Elegante is offered in three color combinations: Sable Black with Sheffield Gray Firemist, Sheffield Gray Firemist with Norfolk Gray and Canyon Rock with Desert Sand Firemist shown.

Inside, a warm and inviting presence prevails. From the simulated teak woodgrain panel inlaid with the appearance of butterfly walnut to seating areas tailored in select leathers, Seville Elegante is designed to please. Elegante features include leather trim on steering wheel, 40/40 Dual Comfort front seating for two, plush Tampico carpeting, deluxe carpeted floor mats and a leather-topped console with provision for umbrella and cassette tape storage. Seville Elegante interiors are tailored in Light Beige leather shown, or Slate Gray leather.



The Eldorado

World class in engineering. Cadillac in luxury. A legend on the road.

Almost every system—every detail—contributes to the world-class status of Eldorado 1980. Including four-wheel independent suspension for ride control. Four-wheel disc brakes that adjust automatically. Quick ratio power steering that contributes to maneuverability in city driving and parking. Cornering lights. And much more.

Eldorado, one of the cars that pioneered front-wheel drive in the U.S., is still one of its finest expressions. There are great road cars. There are great luxury cars. Eldorado 1980 is both. (The classic Coupe is shown left in Colonial Yellow. Also available are the Cabriolet, Biarritz and six exciting two-tone exteriors.)



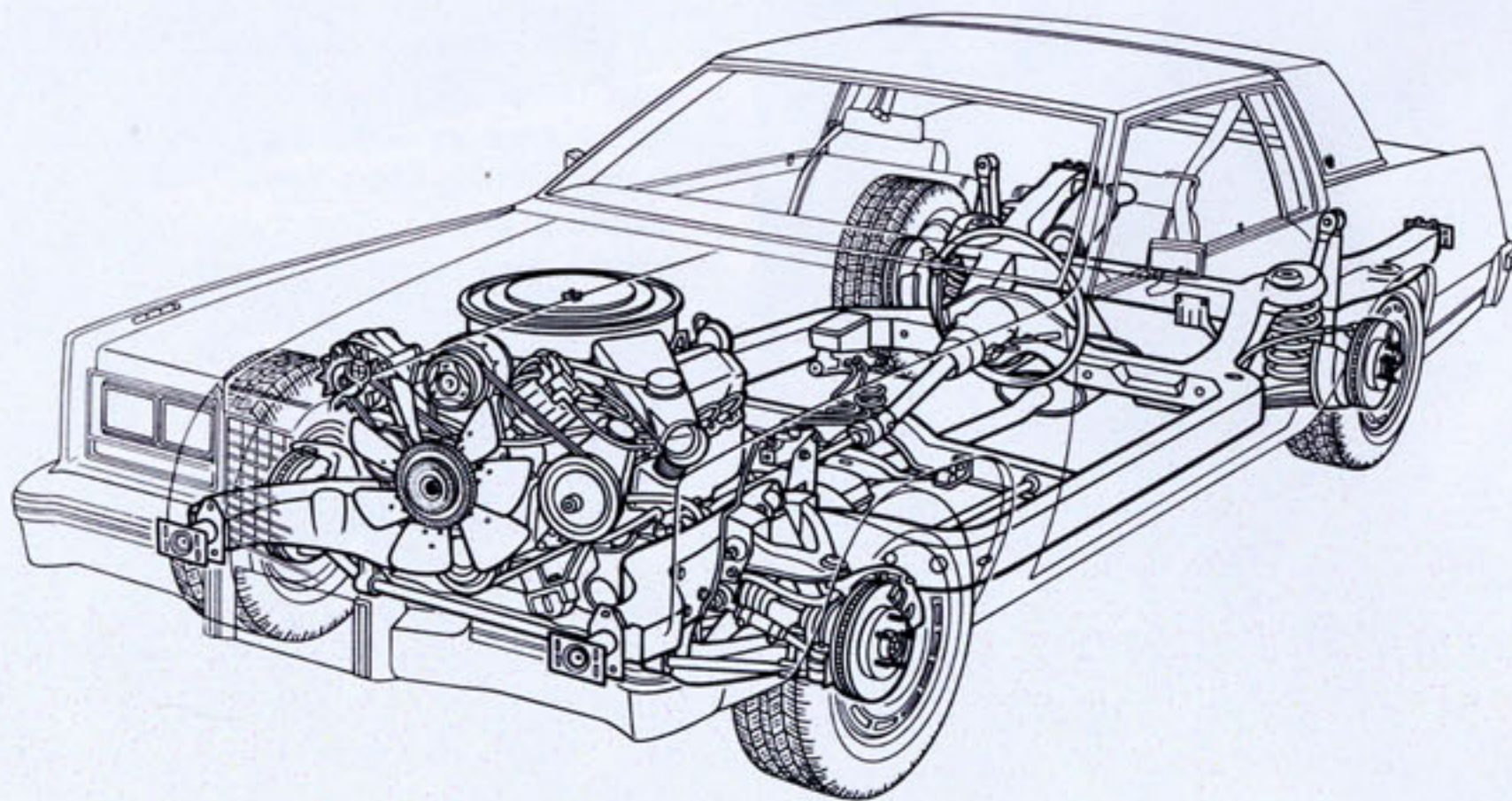
Inside the magnificent 1980 Eldorado the luxury begins with Dual Comfort 50/45 front seats (seat two people). Leather seating areas are available in 10 colors, including Yellow leather shown. Or select a pillow-style interior of new Heather knit cloth in any of six colors. The luxury runs deep to include such fine details as a functionally coordinated instrument panel with simulated teak woodgrain. New Electronic Climate Control with digital accuracy provides added comfort for Eldorado 1980. And since the floor is virtually flat with front-wheel drive, there's remarkable roominess, too.

Eldorado...

and what makes it one of the world's best engineered cars.

1. Front-Wheel Drive provides impressive traction and directional stability.

2. Four-Wheel Independent Suspension...for a smooth and confident Cadillac ride.



3. New 6.0 Liter Digital EFI Engine eliminates conventional tune-ups. 5.7 Liter EFI for California.

4. Four-Wheel Disc brakes have ventilated discs with cooling fins for rapid heat dissipation.

5. Electronic Level Control adjusts for changing loads automatically.

1. Front-Wheel Drive. Provides impressive traction in a wide variety of weather conditions because the engine's weight is over the wheels that drive the car. And since the floor is virtually flat with front-wheel drive, there's remarkable roominess, too.

2. Four-Wheel Independent Suspension. Each wheel reacts independently to road variations for a smooth and confident Cadillac ride. The independent rear suspension also contributes to rear seat roominess and useable trunk space.

3. New 6.0 Liter Digital EFI Engine. Nerve center of this new engine is a sophisticated new form of electronic fuel injection called Digital EFI, a Cadillac exclusive. Two electronically controlled injectors meter a precise mixture of fuel and air to the engine. A digital microprocessor automatically monitors barometric pressure, engine temperature, manifold pressure and other operating variables... even compensating for aging of parts. Digital EFI also includes an idle speed control which maintains a constant idle speed regardless of weather, load or altitude. 5.7 liter EFI engine for California.

4. Four-Wheel Disc Brakes. They automatically self-adjust with every application. Staggered vane construction helps provide rapid heat dissipation.

5. Electronic Level Control. With this feature, a 1980 Eldorado automatically adjusts to changing loads—for additional passengers or when luggage weight is added to the trunk—to help keep the car level.

Standard features also include:

New On-Board Computer Diagnostics. Exclusive with Digital EFI, this system helps take the guesswork out of servicing. It enables a Cadillac service technician to find and correct possible problem areas quickly... simply by pushing buttons in the car and referring to a code book. Then, a push of a button tells him if the problem is properly resolved. Interestingly enough, there's even a backup analog computer aboard for the main digital computer that operates the system. See Page 28 for more information.

New Electronic Climate Control System with Digital Accuracy. With a touch of a button, you can change temperature as precise as one degree through the accuracy of a digital sensor. Further, this system which ventilates, heats and cools has one of the highest cooling capacities found anywhere on any car.

New MPG Sentinel. To help improve driving efficiency, new MPG Sentinel shows instantaneous miles per gallon continuously to the nearest mile. Also, push a button and it displays your average mpg for the trip to the nearest tenth of a mile. A Cadillac exclusive. (Available with Digital EFI engine only.)

Low Fuel Indicator.

Fuel Economy Lights. With 5.7 liter EFI only.

Twilight Sentinel. Automatically turns lights on and off in response to outside lighting conditions. Also turns lights off after an adjustable time delay.

Dual Comfort 50/45 Front Seats. (Seat two people.) With six-way power adjustment for driver, two-way manual adjustment for passenger.

Power Door Locks and Power Windows. Can be operated individually or with master control on driver's door armrest.

Side Window Defoggers. For added convenience.

Illuminated Entry System. Pushing front door handle button illuminates a "halo" lens around the door key-lock cylinder and turns on inside courtesy lights.

Controlled Cycle Wiper System with Washer Fluid Low-Level Indicator.

Delay feature adjusts wiping action for light rain or other special conditions. Light on instrument panel indicates when washer fluid is low.

Electronically Tuned AM/FM Stereo Radio with Signal Seeker, Scanner and Digital Display. This four-speaker system offers rich stereo reception, crystal tuning accuracy and digital readout of time of day and radio station frequencies.

Automatic Power Antenna. Automatically raises when radio is turned on... retracts when radio or ignition is turned off.

Quick Ratio Power Steering. A fast 14:1 steering gear contributes to maneuverability in city driving and parking.

Six-Way Power Seat Adjuster on Driver Side. Adjusts driver's seat forward, back, up, down, and tilts forward or back.

Remote Control Left and Right Side Mirrors. Right side mirror is convex for a wider view and reduced headlight glare.

New Compact Spare Tire. A pre-inflated high pressure tire much lighter than previous stowaway spare tires.

Electric Trunk Release and Power Pull-Down. With ignition on, trunk is opened by depressing trunk lock release button inside glove box. When trunk lid is lowered manually and engages latch, power mechanism pulls down and locks lid.

Cornering Lights. When turning at night, they project light from the side of the car to help illuminate the direction of the turn.

Lamp Monitors. Show if major and secondary outside light systems are functioning.

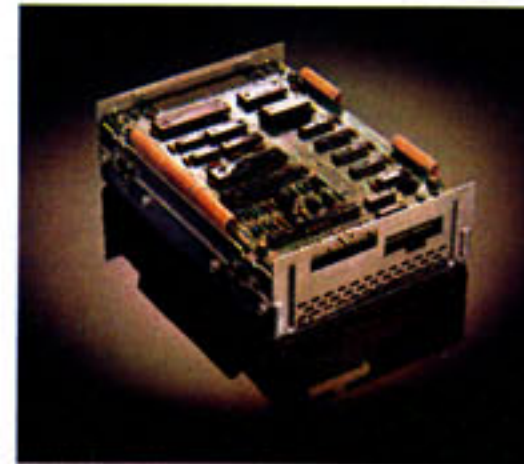
Seat Belt Chimes. Courteously urge you to buckle up.

AS WELL AS...

- New Dual Spot Map Lamps/ Courtesy Lights.
- Push-To-Reset Trip Odometer.
- Front Seatback Map Pockets.
- Tungsten Halogen Highbeam Headlamps.
- Headlamp Dimmer Control on Turn Signal Lever.
- Accent Striping, Side and Deck Lid.
- Tilt and Telescope Steering Wheel.
- Soft Ray Glass.
- Automatic Parking Brake Release.
- Inside Hood Release.
- Color-Keyed Litter Container.
- Cloth-Trimmed Rear Compartment Shelf.
- Cigar Lighters.
- One-Piece Carpeting.
- Carpeted Trunk Compartment.
- 80-Amp Generator.
- Automatic Transmission.
- Steel-Belted Wide Whitewall Radial Tires.



Front-Wheel Drive to help pull you through—in rain, sleet or snow.



Microprocessor helps maintain the proper pre-selected idle speed.



Four-wheel disc brakes automatically self-adjust with every application.

Features Available



for Eldorado



Astrorooftop Shown with Biarritz.



New MPG Sentinel... Standard with Digital EFI.



Eldorado Wire Wheel Covers.



New Heated Rearview Mirrors.

5.7 Liter Fuel-Injected Diesel V8. See Page 29 regarding diesel power availability.

Astrorooftop. Glass panel, in a choice of colors, lets the sunshine in even when closed. Adjustable sunshade. (Will reduce headroom.)

New Heated Outside Rearview Mirrors. An added convenience that comes with the available rear window defogger.

Radio and Sound Selection.

New Combination Cassette Player and Built-In Citizens Band Radio with AM/FM Stereo Radio including Signal Seeker, Scanner and Digital Display. Digital Display also identifies CB channel being monitored. Four push buttons may be set for CB channels, along with four AM and four FM stations. Pushing Scan button samples pre-set CB channels, while pushing Seek button previews all CB channels. Also includes CB Squelch and Monitor controls. Cassette Player with AM/FM Stereo Radio including Signal Seeker, Scanner and Digital Display. 40-Channel Citizens Band Radio and 8-Track Tape Player with AM/FM Stereo Radio including Signal Seeker, Scanner and Digital Display. (CB Digital Display features described above.) 8-Track Tape Player with AM/FM Stereo Radio including Signal Seeker, Scanner and Digital Display. 40-Channel Citizens Band Radio with AM/FM Stereo Radio including Signal Seeker, Scanner and Digital Display. (CB Digital Display features described above.)

New Three-Channel Garage Door Opener. Provides for separate operation of as many as three different doors and gates.

Electrically Controlled Outside Rearview Mirrors. For precise mirror adjustment at the touch of a finger. Includes illuminated outside thermometer on driver's side mirror.

Cabriolet Roof Treatment. Textured Elk Grain vinyl in 15 different selections, including matching Firemist colors.

Comprehensive GM Continuous Protection Plan. Additional service protection to that provided by GM's new vehicle limited warranty. Only in U.S. and Canada. See your Cadillac dealer for details.

OTHER FEATURES AVAILABLE...

- Wire Wheel Covers with Locking Device.
- Cast Aluminum Wheels.
- Electronic Cruise Control.
- Power Seat Recliners.
- Passenger Power Seat Adjuster.
- Leather Seating Areas.
- Guide-Matic Headlamp Control.
- Sport Handling Package.
- Trailering Package.
- Firemist Paints.
- Two-Tone Exterior Colors. (except Biarritz)
- Theft-Deterrent System.
- Tilt and Telescoping Steering Wheel.
- Automatic Door Locks.
- Puncture Sealing Tires.
- Rear Window Defogger. With heated outside mirrors.
- Illuminated Thermometer on Driver's Side Mirror.
- Illuminated Vanity Mirrors. Driver and passenger side.
- Electrically Controlled Outside Mirrors. Includes thermometer on driver's mirror.
- Carpeted Floor Mats.
- Trunk Mat.
- License Frames.
- Engine Block Heater. (standard with diesel)
- Heavy-Duty Cooling System.
- Door Edge Guards.
- Trumpet Horn.
- 100 Amp Generator.



Eldorado Biarritz

Distinctive—this is the look that sets the ultimate Eldorado apart. With exclusive styling accents... a special interior... even cast aluminum wheels. Biarritz for 1980 is set off by an exclusive brushed stainless steel front roof. A wide chrome molding crosses over this roof and continues to the front fenders—highlighting this automobile's dramatic profile. Further distinguishing Biarritz are its opera lamps, accent stripes and "Biarritz" script. The luxury inside

begins with a tufted pillow-style interior available in seven selections of leather for seating areas including Dark Blue (shown left). Or in handsome Slate Gray Heather knit cloth. There's also the elegance of sumptuous plush-pile, one-piece Tampico carpeting... plus individual rear seat reading lamps and leather-trimmed steering wheel. (Biarritz is seen above in Twilight Blue with matching Elk Grain vinyl roof, one of seven exterior combinations available.)

Digital Electronic Fuel Injection and on-board diagnostics for servicing.

Standard for Eldorado...Available at no extra cost for Seville

FUEL INJECTION



A Cadillac service technician quickly, accurately finds a problem area using Cadillac's new on-board diagnostics system.

The 1980 Eldorado and the available gasoline-powered Seville represent a new level in advanced automotive electronics. On their own, they automatically adjust for changing loads...remember to turn their headlights on and off...adjust their engine spark rates continuously and automatically.

Major development for '80

But the major development for 1980 is Digital Electronic Fuel Injection (not available in California), a sophisticated new form of EFI. Heart of the system is a new microprocessor...an advanced digital computer that serves as an electronic control module. It continuously monitors and regulates the performance of Cadillac's new 6.0 Liter gasoline-powered engine. Two electronically controlled injectors meter a precise mixture of fuel and air to the engine. A digital microprocessor automatically monitors barometric pressure, engine temperature, manifold pressure and other operating variables...even compensating for aging of parts. Digital EFI also includes an idle speed control which maintains a constant idle speed regardless of weather, load or altitude.

The microprocessor is also the brains behind Cadillac's on-board computer diagnostic system...a Cadillac exclusive. Your Eldorado or gasoline-powered Seville tells you when it needs dealer service with a "check engine" light on the instrument panel. Then, at your Cadillac dealer, a service technician activates the diagnostic system which shares controls and a digital display with the Electronic Climate Control system. A number then comes on the display which guides the service technician with computer accuracy to the specific area needing service. After the work is successfully completed, a push of a button displays an all-clear signal.

Guesswork reduced

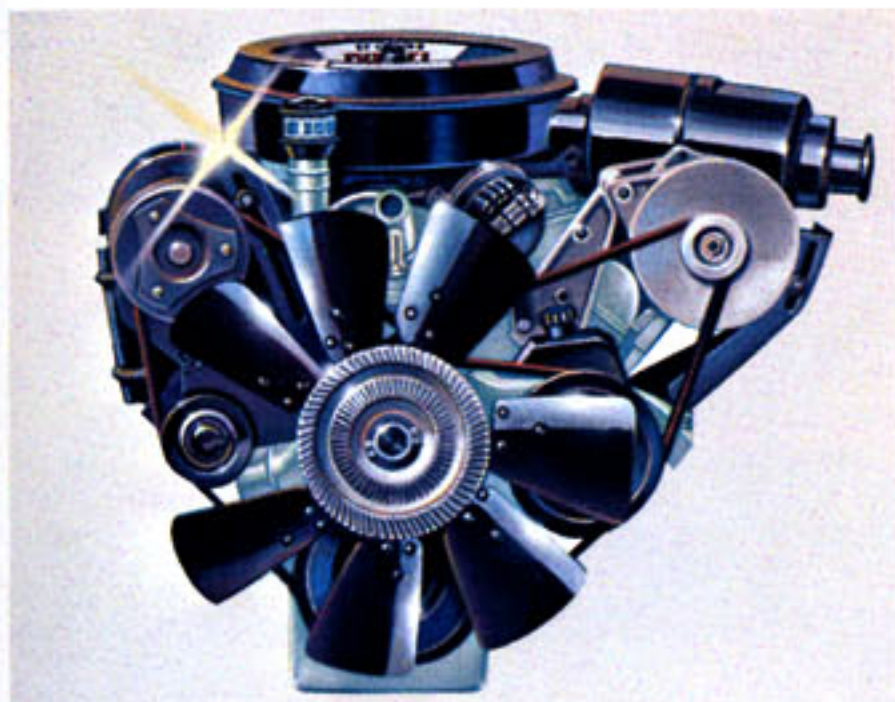
The on-board computer diagnostic system can monitor any function that utilizes electronic sensors such as manifold temperature and pressure, throttle position ...approximately two dozen functions in all.

Guesswork—wasted time and money—is reduced from finding and servicing problems in these areas. A feature is built into the microprocessor which allows it to take over the functions of certain sensors using values from its stored memory. A backup computer guards against the microprocessor itself malfunctioning.

Diesel Power For Cadillac

Standard for Seville...Available for Eldorado, DeVilles and Fleetwood Brougham.

DIESEL



5.7 Liter Fuel-Injected Diesel V8... Standard on Seville.



Diesel-Powered Seville for the 80's.



Diesel-Powered Eldorado.



Diesel-Powered Fleetwood Brougham.



Diesel-Powered Sedan deVille.



Diesel-Powered Coupe deVille.

A word about diesel engines. Diesel engines have been in use since the turn of the century. Their inherent advantages derive from this simple principle: as air is compressed, it becomes hotter—hot enough to ignite fuel. Thus, the diesel uses hot, highly compressed air instead of an electric spark to ignite its fuel.

Diesel for Cadillac. Seville is the first American production car with a diesel V8 engine as standard equipment. Diesel power is also available for the 1980 Eldorado, Fleetwood Brougham and DeVilles. Unlike most diesel imports, the engine used for Cadillac is a 5.7 liter V8 with the balance and smoothness of V8 design.

WHAT YOU CAN EXPECT:

- 1. High compression ratio.** Its high compression ratio of 22.5:1 allows the diesel to achieve ignition by the heat of compression.
- 2. Fuel-injection system.** A compact rotary pump injects exact amounts of fuel under high pressure into each cylinder, according to engine firing order.
- 3. Combustion pre-chambers.** In each cylinder head there is a pre-chamber where fuel is injected at the precise moment to initiate combustion.
- 4. Glow Plugs for cold starts.** As an aid to cold starting, this diesel uses glow plugs—one to a cylinder—to preheat the pre-chamber area around the fuel

injector nozzle. A small electronic device automatically turns off the glow plugs after the engine has achieved ignition and is running normally.

5. Dual batteries. The diesel Cadillac is equipped with two Delco Freedom® II batteries. They provide added current necessary for activating the glow plugs and cranking the high compression engine.

6. Impressive acceleration for a diesel. It's a V8... and with a high power-to-weight ratio. The dynamic balance of V8 design also contributes to smoothness of operation.

7. A difference in starting procedures. When you turn the ignition key to on, an amber light will tell you to "WAIT"... while the high-wattage glow plugs heat the combustion pre-chambers. This time will vary depending on the coolant temperature—approximately 6 seconds at 0°F. Sometimes there will be no wait at all. When the amber light goes off, just turn the key to the start position, then drive off.

8. Diesel fuel directory. Listing of approx. 5,000 outlets in U.S. and Canada.

9. No spark plugs, no carburetor, no distributor—no conventional ignition system to tune up. The diesel Cadillac saves you the time and expense of ever servicing or replacing these items. Of course, the diesel engine will require maintenance such as an engine oil and oil filter change at 3,000 mile intervals.

**Cadillacs are equipped with GM-built engines produced by various divisions.
See chart below or your dealer for details.**

Engine	Order Code	Displacement (cubic inches)	Availability
6.0 Liter 4-Bbl. Carb. V8 (A)	L61	368	Standard for Fleetwood Brougham, DeVilles and Limousines.
6.0 Liter Digital EFI V8 (A)	L62	368	Standard for Eldorado. No-cost option for Seville.
5.7 Liter EFI V8 (A)	L49	350	In California, standard for Eldorado and no-cost option for Seville.
5.7 Liter Fuel-Injected Diesel V8 (B)	LF9	350	Standard for Seville. Available for Eldorado, DeVilles and Fleetwood Brougham.

(A) Produced by GM-Cadillac Motor Car Division (B) Produced by GM-Oldsmobile Division





The Fleetwood Limousines

Flagships of the Fleet...

Luxury and privacy are the hallmarks of the Fleetwood Limousine and Fleetwood Formal Limousine. A dual accessory control panel allows rear seat passengers to adjust Automatic Climate Control and power windows. Even a rear seat control for the radio system is available. New acoustics developments combine with electronic level control and Pliacell shock absorbers for a smooth, quiet ride. There's seating for eight in the Fleetwood Limousine. A sliding glass partition separates forward and rear compartments in the Formal Limousine which

provides seating for seven. (Fleetwood Formal Limousine shown above in Twilight Blue with matching Elk Grain vinyl roof.) Inside the Cadillac Limousine is a private world highlighted here by Dark Blue Heather cloth and high-pile carpeting. The front compartment of the Formal Limousine is Black, with Black Leather in seating areas. Its front and rear seating is separated by a sliding glass partition for rear privacy. Other interior colors available for rear seating area include Slate Gray and Black. All Limousines have two fold-down auxiliary seats for additional passengers.



Safety Features for All 1980 Cadillacs.

OCCUPANT PROTECTION

Seat belts with pushbutton buckles for all passenger positions. Two front combination seat and inertia reel shoulder belts for driver (with reminder light and chimes) and right front passenger.

Energy-absorbing steering column.

Passenger guard door locks.

Safety door latches and stamped steel hinges.

Folding seat back latches.

Energy-absorbing padded instrument panel and front seat back tops.

Laminated windshield.

Safety armrests.

Glove box and console door latch impact security.

Smooth contoured door handles.

Automatic locking rear outboard seat belt retractors.

Pressure lock radiator cap.

AVAILABLE

Infant Love Seat.

Child Love Seat.

ACCIDENT AVOIDANCE

Side marker lights and reflectors.

Parking lamps that illuminate with headlamps.

Four-way hazard warning flasher.

Backup lights.



Lane change feature in directional signal control.

Windshield defrosters, washer and three speed wipers.

Wide view inside mirror (vinyl edged, shatter resistant glass and deflecting support).

Outside rearview mirrors.

Dual master cylinder brake system with warning light.

Starter safety switch.

Dual action safety hood latches.

Headlamp aiming access provision.

Low glare instrument panel top, inside windshield moldings, wiper arms and blades and steering wheel metallic surfaces.

Safety wheel rims.

Uniform shift quadrant.

No winged wheel nuts, discs and caps.

Disc brakes with audible wear indicators.

Self-adjusting brakes.

Illumination of windshield wiper and washer, heater, air conditioner and defroster controls on instrument panel.

Pressure relief gas cap.

ANTI-THEFT

Anti-theft ignition key reminder buzzer.

Anti-theft steering column lock.

Anti-theft key system (one key for ignition only, other key for glove compartment, doors and trunk).

Visible vehicle identification number.

A Word About Assembly, Components and Optional Equipment in these Cadillacs.

The Cadillacs described in this brochure are assembled at facilities of General Motors Corporation operated by Cadillac Division or GM Assembly Division. These vehicles incorporate thousands of different components produced by various divisions of General Motors and by various suppliers to General Motors. From time to time during the manufacturing process, it may be necessary, in order to meet public demand for particular vehicles or equipment, or to meet federally mandated emissions, safety and fuel economy requirements, or for other reasons to produce Cadillac products with different components or differently sourced components than initially

scheduled. All such components have been approved for use in Cadillac products and will provide the quality performance associated with the Cadillac name. With respect to extra cost optional equipment, make certain you specify the type of equipment you desire on your vehicle when ordering it from your dealer. **Some options may be unavailable when your car is built. Your dealer receives advice regarding current availability of options. You may ask the dealer for this information. GM also requests the dealer to advise you if an option you ordered is unavailable. We suggest you verify that your car includes the optional equipment you ordered or, if there are changes, that they are acceptable to you.**

1980 Specifications

DeVILLES, BROUGHAM AND LIMOUSINES

Engine

8-Cylinder, 90° V Type
 Bore 96.52 mm (3.800")
 Stroke 103.12 mm (4.060")
 Displacement 6.0 liters (368 cu. in.)
 Compression Ratio 8.2 to 1
 Firing Order 1-5-6-3-4-2-7-8
 Mounts 3 points, rubber insulated
 Emission Controls Positive Crankcase Ventilation, Evaporative Control, Back-Pressure Exhaust Gas Recirculation, Early Fuel Evaporation, Oxidizing Catalyst, Air Injection Reactor, Electronic Spark Selection.

Fuel System

Carburetion System 4 BBL "Quadraj"™
 Fuel Filter Carburetor inlet and in-tank
 Pump Mechanical

Fuel Tank

Capacity 78 liters (20.6 gallons; approx.)
 DeVilles and Brougham 95 liters (25 gallons approx.)—standard on Limousines, available for DeVilles and Fleetwood Brougham with Long Distance Cruise package.
 Emissions Controls (For Vapor Control) ... Fuel Tank vented through charcoal canister.

Electrical

Freedom® II Battery—Delco Remy F18 ... 12 volt, negative ground, side terminals. No filler/vent caps.
 Generator ... 63 amp.; 80 amp. on Limousines.
 Voltage Regulator Solid state, integral with generator.
 Ignition HEI with 8-mm silicone insulated wiring.

Transmission

All models THM-400, 3-Speed Automatic.

Propeller (Drive) Shaft

..... Front and rear constant velocity joints. Limousines have additional center constant velocity joint.

Rear Axle Differential

..... Hypoid Type
 Ratios—Standard Federal Carb. 2.28:1 except Limousines.
 —Standard Calif. Carb. 2.56:1 except Limousines.
 —Standard Federal, Calif. Carb. 3.08:1 Limousines only.
 Avail. Limited Slip Differential ... Clutch Type

Front Suspension

..... Independent Coil Springs Coil Stabilizer Bar Link Type Shock Absorbers ... Hydraulic, Direct Action.

Rear Suspension

..... Four-link drive—coil spring Springs Coil Shock Absorbers ... Hydraulic, Direct Action
 Height Control Electronic Level Control (available on DeVilles and Brougham)

Brakes

..... Disc-drum self-adjusting Master Cylinder Dual hydraulic Power Boosters Tandem vacuum

Front Ventilated rotors
 Caliper Single piston sliding
 Rear Duo servo drums
 Drums—DeVilles and Brougham 279 mm (11")
 Composite cast iron/steel.
 —Limousines 305 mm (12")
 Composite cast iron/steel.
 Lining Material (Front & Rear) Molded asbestos.

Swept Area (Total)
 DeVilles and Brougham 2420 cm² (375.1 in.²)
 Limousines 2744 cm² (425.3 in.²)
 Parking Brake Foot pedal with vacuum release.
 Action Mechanical on rear brakes.
 Telltale Light .. Indicates hydraulic malfunction or parking brake applied.
 Linings Audible wear indicators

Steering

..... Power Damper—Except DeVilles and Brougham Hydraulic shock absorber
 Gear Ratios
 DeVilles, Brougham 15-13:1
 Limousines 17.5:1
 Overall Ratios
 DeVilles, Brougham 17:1-15:1
 Limousines 20.0-20.6:1
 Wheel Spindle Bearings Tapered roller

Frame Separate full frame-ladder construction with welded-in crossmembers

Wheels & Tires

Tires ... GM Specification Steel-Belted Radial Sidewall Wide white stripe
 Size—DeVilles & Brougham P215/75R15
 Limousines HR 78-15-D
 Wheels—Except Limousines 15 x 6 JJ
 Limousines 15 x 6 JJ Heavy-duty

Overall Size

Tread Width 1568 mm Front (61.7")
 1542 mm Rear (60.7")

Wheelbase

DeVilles 3085 mm (121.4")
 Fleetwood Brougham 3085 mm (121.4")
 Limousines 3670 mm (144.5")

Overall Length

DeVilles 5614 mm (221.0")
 Fleetwood Brougham 5614 mm (221.0")
 Limousines 6199 mm (244.1")

Overall Height

Fleetwood Brougham 1441 mm (56.7")
 Coupe deVille 1387 mm (54.6")
 Sedan deVille 1411 mm (55.6")
 Fleetwood Limousine 1446 mm (56.9")
 Formal Limousine 1446 mm (56.9")

Shipping Weight

Fleetwood Brougham 1856 kg (4092 lbs.)
 Coupe deVille 1836 kg (4048 lbs.)
 Sedan deVille 1852 kg (4084 lbs.)
 Fleetwood Limousine 2100 kg (4629 lbs.)
 Formal Limousine 2140 kg (4718 lbs.)

ELDORADO

Engine—Federal Cars

8-Cylinder, 90° V Type
 Bore 96.52 mm (3.800")

Stroke 103.12 mm (4.060")
 Displacement 6.0 liters (368 cu. in.)
 Compression Ratio 8.2 to 1
 Firing Order 1-5-6-3-4-2-7-8
 Mounts 3 points, rubber insulated
 Emission Controls Positive Crankcase Ventilation, Evaporative Control, Back-Pressure Exhaust Gas Recirculation, Oxidizing Catalyst, Air Injection Reactor, Electronic Spark Timing.

Engine—California Cars

8-Cylinder, 90° V Type
 Bore 103.5 mm (4.057")
 Stroke 85.98 mm (3.385")
 Displacement ... 5.7 liters (350 cubic inches)
 Compression Ratio 8.0 to 1
 Firing Order 1-8-4-3-6-5-7-2
 Mounts 3 points, rubber insulated
 Emission Controls Positive Crankcase Ventilation, Evaporative Control, Back Pressure Exhaust Gas Recirculation, Electronic Spark Selection, Phase II Catalytic Converter.

Fuel System

Induction System Digital Electronic Fuel Injection for Federal cars and Closed Loop Electronic Fuel Injection for California cars.
 Fuel Filter In-line and in-tank
 Pump 1 Electric in fuel tank

Fuel Tank

Capacity 78 liters (20.6 gallons approx.)
 Emission Controls (For Vapor Control) Domed fuel tank, charcoal canister.

Electrical

Freedom® II Battery—Delco Remy F18 12 volt, negative ground, side terminals. No filler/vent caps.
 Generator 80 amp.
 Voltage Regulator Solid state, integral with generator.
 Ignition HEI with 8-mm silicone insulated wiring.

Transmission

..... THM-325, 3-Speed Automatic for front-wheel drive.

Final Drive

..... Front—ring gear and pinion-hypoid.
 Ratio—Standard Federal & California 2.19 to 1

Front Suspension

..... Independent Torsion Bar Springs Torsion Bars Stabilizer Bar Link Type Shock Absorbers ... Hydraulic, Direct Action

Rear Suspension

..... Independent trailing arm Springs Coil Shock Absorbers ... Hydraulic, Direct Action
 Height Control Electronic Level Control

Brakes

..... Disc—self-adjusting Master Cylinder Dual hydraulic Power Booster Tandem vacuum Front & Rear Single piston sliding calipers, ventilated rotors.

Lining Material (Front & Rear)

..... Molded asbestos
 Swept Area (Total) 2554 cm² (396 in.²)
 Parking Brake Foot pedal with vacuum release.
 Action Mechanical on rear brakes.
 Telltale Light .. Indicates hydraulic malfunction or parking brake applied.
 Linings Audible wear indicators.

Steering

..... Power Damper Hydraulic shock absorber
 Gear Ratio 14:1
 Overall Ratio 14:1
 Wheel Spindle Bearings Tapered roller

Frame

..... Separate full frame ladder construction with welded-in crossmembers

Wheels & Tires

Tires ... GM Specification Steel-Belted Radial Sidewall Wide white stripe
 Size P205/75R15
 Wheels 15 x 6 JJ

Overall Sizes

Tread Width 1506 mm Front (59.3")
 1538 mm Rear (60.5")
 Wheelbase 2895 mm (114.0")
 Overall Length 5194 mm (204.5")
 Overall Height 1378 mm (54.2")
 Shipping Weight 1726 kg (3806 lbs.)

SEVILLE

Engine

8-Cylinder, 90° V Type
 Bore 103.05 mm (4.057")
 Stroke 85.98 mm (3.385")
 Displacement 5.7 liters (350 cu. in.)
 Compression Ratio 22.5 to 1
 Firing Order 1-8-4-3-6-5-7-2
 Mounts 3 points, rubber insulated

Fuel System

Induction System Injectors—diesel
 Fuel Filter Type In-line and in-tank
 Pumps 1 mechanical

Fuel Tank

Capacity 87 liters (23 gallons approx.)

Electrical

Freedom® II Battery—Delco Remy F18 12 volt, negative ground, sealed top, side terminals. No filler/vent caps.
 Generator 80 amp.
 Voltage Regulator Solid state, integral with generator.
 Ignition Diesel Glow-Plug Elect. system

Transmission

..... THM-325, 3-Speed Automatic for front-wheel drive.

Final Drive

..... Front—ring gear and pinion-hypoid.
 Ratio—Standard Federal & California 2.41 to 1

Front Suspension

..... Independent Torsion Bar Springs Torsion Bars Stabilizer Bar Link Type

Shock Absorbers ... Hydraulic, Direct Action

Rear Suspension ... Independent trailing arm Springs Coil Shock Absorbers ... Hydraulic, Direct Action
 Height Control Electronic Level Control

Brakes Disc—self-adjusting Master Cylinder Dual hydraulic Power Booster Hydraulic Front & Rear Single piston sliding calipers, ventilated rotors.

Lining Material (Front & Rear) Non-asbestos—front; molded asbestos—rear.

Swept Area (Total) 2554 cm² (396 in.²)
 Parking Brake Foot pedal with vacuum release.

Action Mechanical on rear brakes.
 Telltale Light .. Indicates hydraulic malfunction or parking brake applied.
 Linings Audible wear indicators.

Steering

..... Power Damper Hydraulic shock absorber
 Gear Ratio 14:1
 Overall Ratio 14:1
 Wheel & Column Tilt & Telescoping
 Wheel Spindle Bearings Tapered roller

Wheels & Tires

Tires ... GM Specification Steel-Belted Radial Sidewall Wide white stripe
 Size P205/75R15
 Wheels 15 x 6 JJ

Overall Sizes

Tread Width 1506 mm Front (59.3")
 1538 mm Rear (60.6")
 Wheelbase 2895 mm (114.0")
 Overall Length 5202 mm (204.8")
 Overall Height 1402 mm (54.3")
 Shipping Weight 1835 kg (4046 lbs.)

ALL GASOLINE-POWERED MODELS

Unleaded Fuel ... Use *only unleaded* gasoline meeting Federal government regulations. The Federal government specifies the minimum octane number of unleaded gasoline. Unleaded gasoline must be used for proper emission control system operation. It will also minimize spark plug fouling. The use of leaded gasoline can damage the emission control system, and could result in loss of warranty coverage.

Headlamps

..... 4 Rectangular

Cornering Lamps

..... Integral with side marker lamps

Lamp Monitors

..... Standard front and rear

Cadillac Motor Car Division of General Motors Corporation reserves the right to make changes at any time, without notice, in prices, colors, materials, equipment, specifications and models and also to discontinue models. On some of the cars shown and described in this catalog are features and accessories available at extra cost ... but well worth it for the added driving comfort and convenience they provide.



Litho in U.S.A.

THE
Cadillac
COMMITMENT

We believe that when you buy or lease a Cadillac, you deserve to be treated like a Cadillac owner. And when you take your car in for service, you have the right to expect the type of consideration traditionally reserved for Cadillac owners.

We intend to keep that tradition alive.



