

1977
Plymouth
Volare



VOLARÉ PREMIER COUPE

The accent is on comfort.

Reach for the real enjoyment you've been after—but didn't think you'd find in a small car...until Volaré put the accent on comfort.

Catch yourself a 1977 Volaré Premier Coupe. And don't let go until you see, touch, experience all that's new, bright and beautiful about this car.

Volaré Premier's premium wheel covers, hood medallion and color-keyed vinyl body side moldings are elegant standards. And you can add even more flair with the optional Landau vinyl roof with opera windows or canopy vinyl roof...with sweeping up-and-over stripes that outline Volaré's stylish shape. Yet Volaré is priced under the "luxury" small car field.



When you see the world Volaré's way, it's through wide glass areas.

And from where you sit, you have a satisfying sense of space as well as visibility. The door openings are large...with plenty of room to be comfortable, up, down, all around you.

If your idea of getting someplace is 60/40 split-bench Super Soft vinyl seats with center armrest and dual reclining seat-backs...luxury steering wheel...premium door trim with elegant pull-handles...color-keyed shag carpeting...and a carpeted trunk with a no-charge optional Space Saving spare tire for extra room...you have it all in this Volaré Premier Coupe.

It's a lot of young, sports-style traveling.

And its ride is something else. A smooth ride, like a big car, with positive handling that comes from an Isolated Transverse Suspension System with a standard front sway bar and fiberglass-belted radial-ply tires. But more about Volaré's fine engineering on page 18.

Add your own ideas on styling with Volaré's optional accessories on pages 16 and 17. Power door windows, power seats, power door locks. Four-speaker stereo radio and 8-track tape system. Sun roof or the fantastic new "T"-bar roof that makes Volaré Coupes wide open for fun and sun. And many more fine options not available on many small cars.

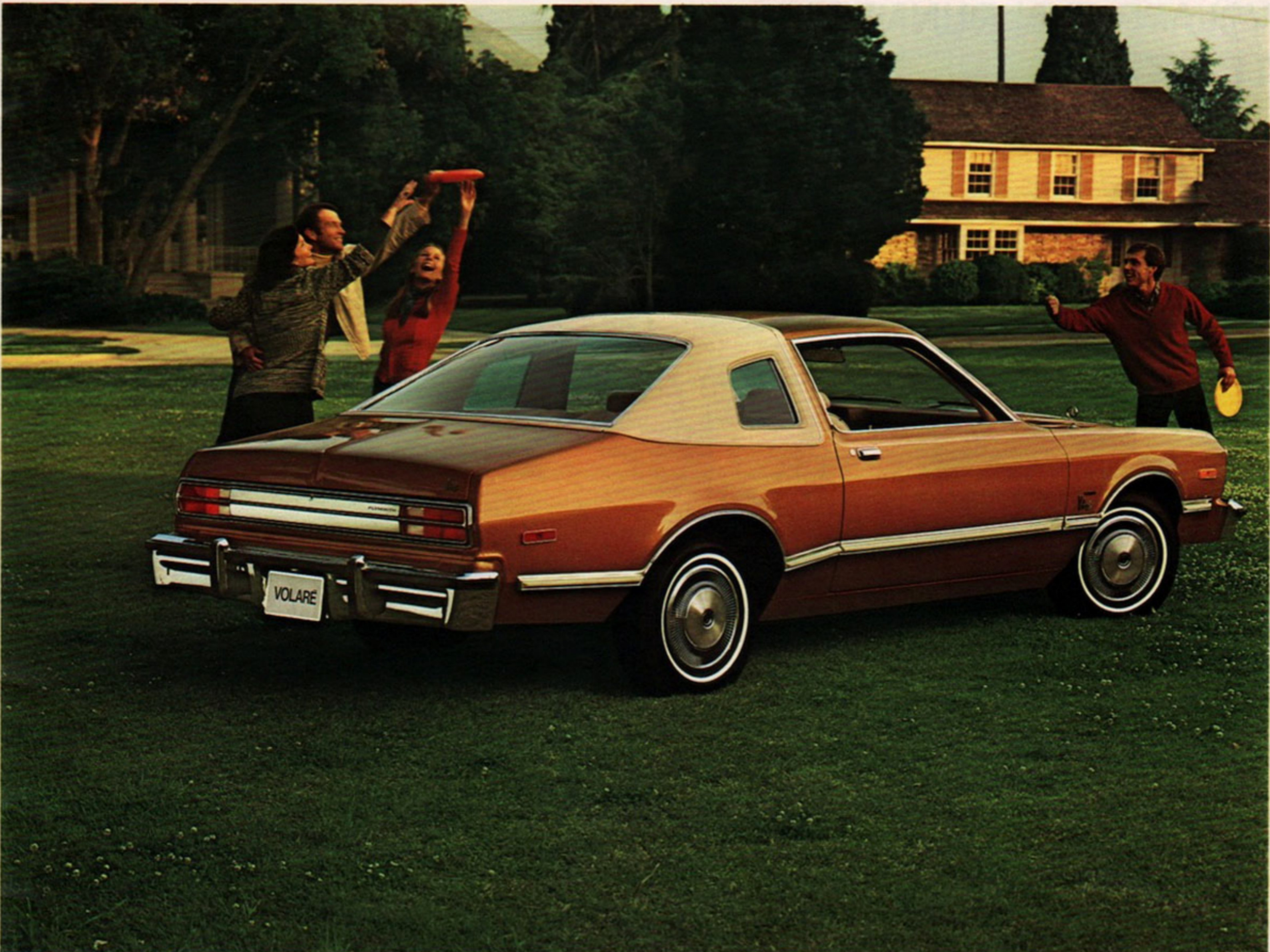
Comfort...luxury...parking and handling ease...it's all within your grasp, in this 1977 Volaré Premier Coupe.

Some items pictured on vehicles on this and other pages of this catalog are extra cost options.

Optional Super Soft all-vinyl bucket seats.



Optional cashmere-like cloth 60/40 bench seat with center armrest and seat-back recliners.



Volare Premier 2-Door Coupe with optional Landau vinyl roof.

VOLARÉ FUN RUNNERS

What's up, Volaré?

Plenty of fun with the new "Fun Runner" options for Volaré Coupes. And hot new two-tone paint combinations that give you nine wild ways to go with color. (Check out the whole color show on page 20.)

Match your flying colors with the fantastic new Volaré "Sun Runner," featuring the optional new "T"-bar roof with lift-out glass panels or the manually operated sun roof. Either way, it opens up a lot of new possibilities for driving fun!

And here comes the "Front Runner"—optional Road Runner and Super Pak packages—with front and rear spoilers, neat louvered windows and flared wheel openings. You're looking good with the performance looks of your "Front Runner." Ready to go in 1977 with the optional 360 4-bbl. V-8 engine and Electronic Lean Burn System.*

You can heat up the styling of your Road Runner option package even more with optional all-vinyl bucket seats and optional console. Neat.

And with the optional Space Maker Pak you can fold down the rear seat to make more room for luggage, sports gear, etc.

New two-tone paint combinations (count 'em, nine!)... hot new performance options... and the whole range of dress-up accessories on pages 16 and 17.

The only place to catch a Road Runner, a "Sun Runner," or a "Front Runner" is at your Chrysler-Plymouth dealer's.

*Not available in California or at altitudes over 4000 feet.



Volaré Coupe with two-tone paint combination.

Volaré Coupe "Sun Runner"—optional Road Runner Package and optional Sun Roof.



Volaré Custom Coupe with two-tone paint combination.

The "Front Runner," with optional Road Runner and Super Pak Packages.

VOLARÉ AND VOLARÉ CUSTOM COUPES

Real value—and some real excitement too.

It's small. But with a greater sense of spaciousness than you'd expect.

It's exciting to look at. But designed to put the accent on comfort.

It could only be the 1977 Volaré and Volaré Custom Coupes...with more of the features that have already attracted so many small-car buyers.

Fine cloth-and-vinyl bench seating, full color-keyed carpeting, handsome instrument cluster...and in the Custom version, other fine points like custom all-vinyl seating with custom door trim, rear armrests and woodgrain inserts on instrument cluster.

Or the sporty optional all-vinyl foam-cushioned bucket seats, individually adjustable. Definitely a Cloud 9 way to go.

You have a choice of the efficient 225 1-bbl. Slant Six and the 318 V-8, or the optional peppy 225 2-bbl. Super Six* engine, available with the optional Overdrive-4 manual transmission;** or the optional 360 2-bbl. V-8* with automatic transmission.



Whatever else you're looking for, you'll find on pages 16 and 17. A full line of optional power assists; stereo sound systems; vinyl roof with opera windows; sun roof or the fantastic new "T"-bar roof; and nine new two-tone paint combinations on page 20.

This year, things are really looking up for small-car buyers. Volaré!

*Not available in California or at altitudes above 4000 feet.

**Not available at altitudes over 4000 feet.

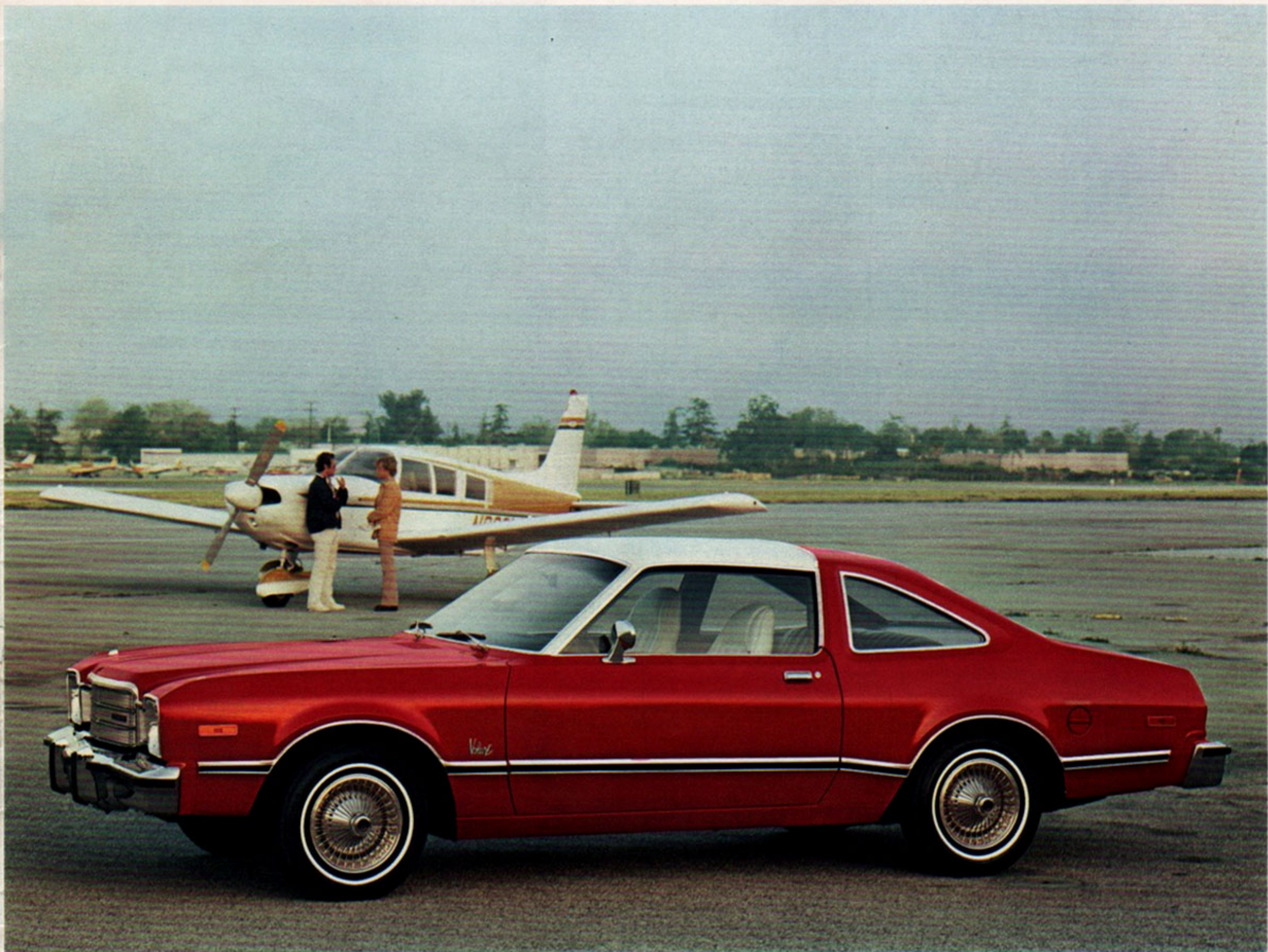
Volaré Custom Coupe optional all-vinyl bucket seats.



Volaré Coupe.



Volaré Coupe standard cloth-and-vinyl bench seat.



Volare Custom Coupe with optional Canopy vinyl roof and opera windows.

VOLARÉ STATION WAGON

The small wagon that's big on comfort.

The popularity of this wagon has taken off since its introduction! It's a versatile kind of small wagon. Six-passenger size, with four doors—and all of them wide enough for easy in-and-out.

Inside, you have space in all directions . . . with a great view through Volaré's broad glass areas. And behind you 72.8 cu. ft. of cargo space. That's 70% as much usable cargo space as you'll find in our full-size wagons!

And best of all, Volaré gives you all this room in a wagon that's small and inexpensive to own.

The Volaré Wagon comes with a choice of engines. The peppy 225 2-bbl. Super Six,* or the 318 V-8—either of them standard. Or the optional 360 2-bbl. V-8.*

From the ground up, Volaré is easy on you.

It has an Isolated Transverse Suspension System that reduces noise. And helps produce the big-car type of ride so characteristic of Volaré.

1977 Volaré and Volaré Premier. The small wagons that make comfort, function and affordability a beautiful starting point.

*Not available in California or at altitudes over 4000 feet.



Volaré standard all-vinyl bench seat.



Volaré Wagon.



Gas-cylinder-assisted liftgate door.



Family-sized 72.8 cu. ft. cargo area.



Recessed spare tire well is standard.



Volaré Premier optional Hillcrest cloth 60/40 split-bench seat, folding center armrest, and dual reclining seat-backs.



Volaré Premier Wagon, the small wagon with the accent on comfort and space.

VOLARÉ PREMIER 4-DOOR SEDAN

Elegant and spacious...distinctively designed...smooth-riding and quiet.

That's 1977 Volare Premier 4-Door Sedan. A comfortable small sedan — and one of the best motoring values since its introduction.

The accent is on comfort. With handsome 60/40 Super Soft vinyl seats with center armrest and dual reclining seat-backs . . . richly detailed door trim . . . luxury steering wheel . . . power steering, power disc brakes . . . body side stripes and wide color-keyed vinyl body side moldings . . . premium wheel covers. And thoughtful points like a lockable glove box . . . carpeted trunk and no-cost optional Space Saving spare tire.

Add the peppy 225 2-bbl. Super Six* or the 360 2-bbl. V-8* options to your choice of a 225 1-bbl. Slant Six or 318 V-8 engine. Nice going!

Fine car options are all here, too.

Full range of power assists . . . rapid-cool-down air conditioning . . . AM/FM Multiplex radio and 8-track tape systems. Pick your pleasure.

But one of the finest points about this Volare Premier Sedan is the Isolated Transverse Suspension System with a standard front sway bar and fiberglass-belted radial-ply tires. Together with deluxe sound insulation, it produces the smooth, big-car feeling that characterizes Volare's ride and handling.

A truly fine car with the accent on comfort. That's 1977 Volare Premier Sedan.

*Not available in California or at altitudes above 4000 feet.



Optional cashmere-like cloth 60/40 split-bench seat with dual seat-back recliners.



Volare Premier's spacious, comfortable rear seat with shag carpeting and soft door trim.



Volare Premier 4-Door Sedan with optional vinyl roof.

VOLARÉ AND VOLARÉ CUSTOM 4-DOOR SEDANS

The only way is up for these smart and spacious sedans!

There's a look of success in every line of Volaré's distinctive design and tasteful styling.

And these Volaré Sedans are priced to fit easily into your plans, too.

With Volaré's interior design, the accent design is on comfort... and feature-for-feature value! You have wide door openings...with a

comfortable amount of headroom and legroom. And a sense of high, wide, uncrowded roominess and excellent visibility.

More smooth riding ahead. In the form of Volaré's Isolated Transverse

Suspension System with a standard front sway bar. Sound insulation and Unibody construction contribute to Volaré's smooth, big-car way of riding.

And along with these advantages, Volaré offers you a choice of the

318 V-8, or the 225 1-bbl. Slant Six engine, standard. Optional Overdrive-4 manual transmission* is also offered.

The way these Volaré and Volaré Custom Sedans look, ride and handle, you're in for some high-flying, smooth-driving pleasure on the road.

*Not available at altitudes above 4000 feet.



Volaré 4-Door Sedan



Volaré 4-Door Sedan standard all-vinyl bench seat with matching soft door trim.



Volaré Custom standard cloth bench seat with vinyl accents and Custom door trim.





Volare Custom 4-Door Sedan

1977 Volaré Standard Features

Volaré Standard Features (including Volaré Wagon) • Drip moldings • Quarter window reveal moldings • Bright grille surround moldings • Low-back bench seats with applied head restraints • Color-keyed carpeting • Color-keyed restraint system • Cloth-covered molded headlining • Dome light • Heater and defroster • Cleaner air system • 225-1 Slant Six or 318 V-8 (225-2 Super Six* standard on Wagons) • Isolated Transverse Suspension System • Recessed spare tire storage • Electronic Ignition System • 3-speed fully-synchronized manual transmission • Electronic voltage regulator • Front sway bar • Cargo area stowage bins (wagon) • Front disc brakes (power disc brakes on all 8-cyl. models).

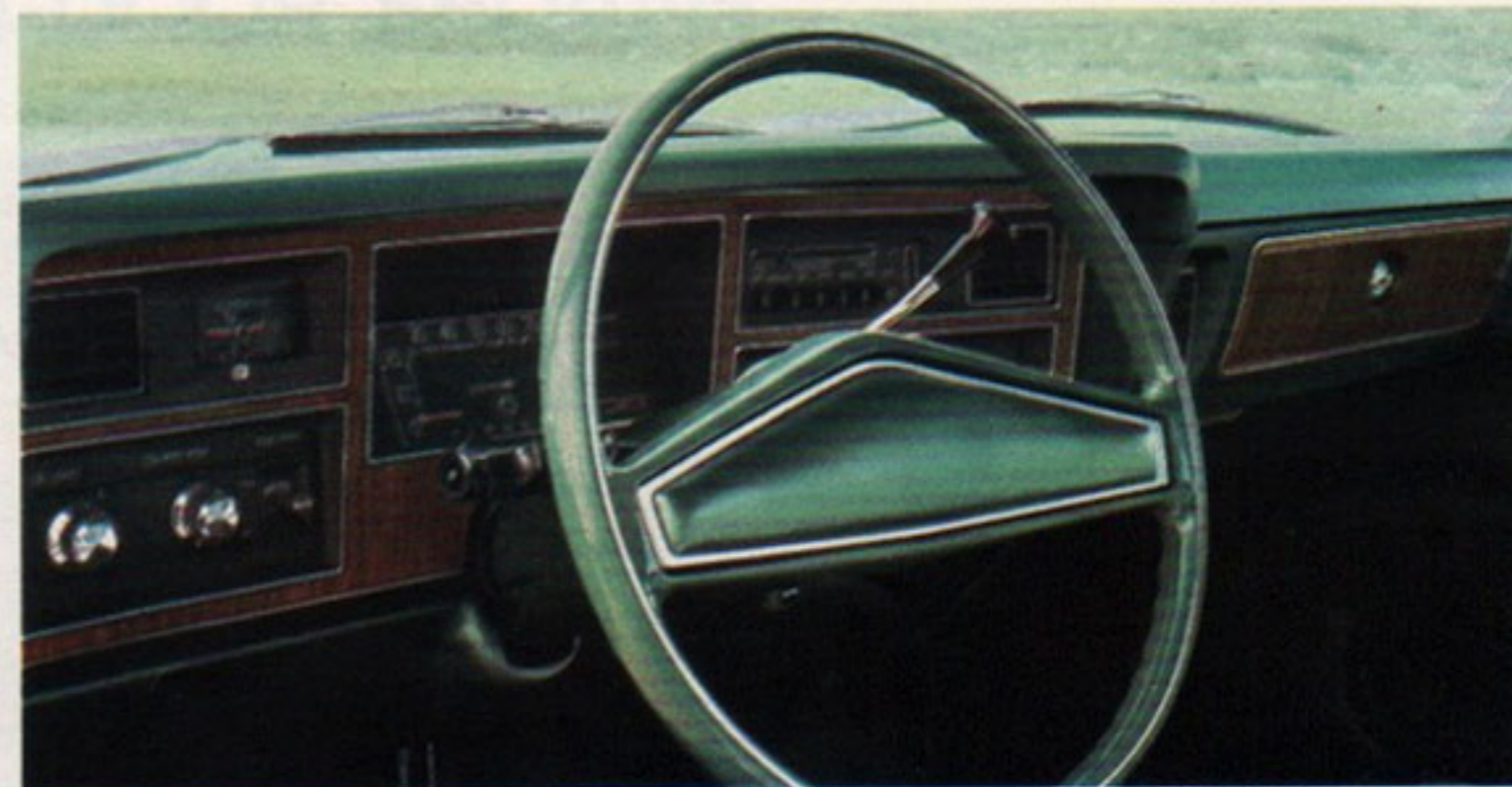
Volaré Custom Standard Features (Volaré features, with the following additions and substitutions) • Cigarette lighter • Woodgrain instrument panel cluster trim • Custom pleated vinyl or cloth-and-vinyl bench seats • Custom door trim panels • Rear deck lower applique • Belt and coupe B-pillar molding • Body side and partial wheel lip molding • Rear-seat armrests with ash receivers.

Volaré Premier Coupe & Sedan Standard Features (Volaré Custom features, with the following additions and substitutions) • Chrome grille insert • Vinyl 60/40 split-bench with center armrest and dual reclining seat-backs • Shag carpeting • Luxury door trim panels • Carpeted lower door panels • Door pull-handles • Premium wheel covers • Luxury 3-spoke steering wheel • Power disc brakes • Power steering • Day/night inside mirror • Electric clock • Lockable glove box • Dual horns • Color-keyed vinyl insert body side molding • Body side accent tape stripes • Hood ornament and molding • Hood accent tape stripe • Sedan door frame moldings • Deluxe sound insulation package • Bright grille.

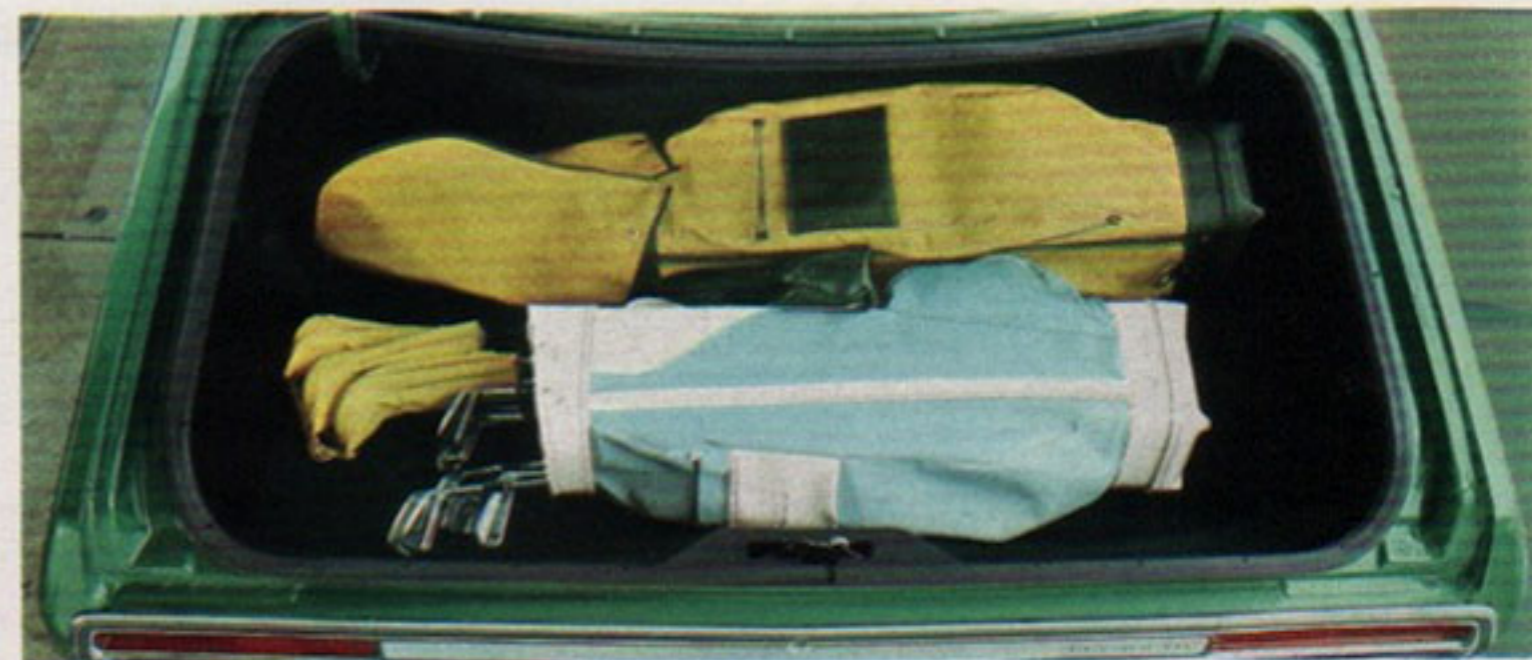
Volaré Premier Wagon Standard Features: Deluxe pleated vinyl bench seat • Carpeted cargo compartment • Lockable doors for side storage bins • Cigarette lighter • Woodgrain body side applique • Woodgrain liftgate applique • Deluxe door panel and rear deck trim • Belt molding • Upper door frame moldings • Hood ornament and hood center molding • Rear-seat armrests with ash receivers • Power steering on 8-cylinder models • Bright grille.

Standard Safety Features: Keyless door-locking • Side marker lights and reflectors • Back-up lights • 2-speed electric windshield wipers • Electric windshield washers • Dual hood latches • Parking lights that illuminate with headlights • Safety door latches and hinges • Laminated safety glass windshield • Safety-Rim wheels • Passenger restraint system with warning light and buzzer • Flame retardant interior material • Turn signals • Locking steering column • Energy-absorbing instrument panel, front seat-backs, and armrests • Inside door locks • Cushioned sun visors • Dual braking system • Head restraints, 2 front • Locking latch on all folding front seat-backs • Energy-absorbing steering column • Impact-absorbing bumper system • Side door beams.

*Not available in California or at altitudes above 4000 feet.



Fully appointed modular instrument panel with smart woodgrained accents. (Volaré Custom and Premier). Allows easy service access to each operational control and gauge.



Roomy trunk with optional carpeting (std. on Premier Coupe and Sedan) and cover for Space Saving spare tire option.



Broad glass areas give excellent visibility and add to the sense of spaciousness inside Volaré Sedans.

Standard Specifications

Engine	225-1V Slant Six, 318 V-8. (225-2V Super Six ¹ on Wagons.)
Transmission	3-speed manual
Suspension	Front: Transverse torsion bars with sway bar; Rear: Asymmetrical leaf springs
Brakes	Front: Disc; Rear: Drum
Electrical System	Battery: 325 amp, 225 & 318 CID; Alternator: 41 amp; Electronic Ignition System; Transistorized voltage regulator
Fuel Tank	6-cyl. except Wagons—18 gal.; 8-cyl. and Wagons—20 gal.
Trunk Capacity	Sedans 14.4 cu. ft.; Coupes 14.5 cu. ft.; Premier Coupe 13.6 cu. ft.

¹Not available in California or at altitudes over 4000 feet.

Engine and Rear Axle Availability The higher the axle ratio, the better the performance. The lower the ratio, the better the economy. Ask salesman for details.

		Coupes and Sedans		Wagons	
Engine	Transmission	Standard Axle	Optional	Standard Axle	Optional
All States except California and high altitudes.					
225-1, 6-cyl. ¹	3-spd. man. col. shift ⁵	3.2	2.9 (3.2 S.G.)	N/A	N/A
	3-spd. man. fl. shift	3.2	2.9 (3.2 S.G.)	N/A	N/A
	4-spd. man. fl. shift OD	3.2	(3.2 S.G.)	N/A	N/A
	TorqueFlite	2.7	2.9; 3.2 (2.7; 3.2 S.G.)	N/A	N/A
225-2, 6-cyl. ²	3-spd. man. col. shift ⁵	3.2	(3.2 S.G.)	3.2	(3.2 S.G.)
	3-spd. man. fl. shift	3.2	(3.2 S.G.)	3.2	(3.2 S.G.)
	4-spd. man. fl. shift OD	3.2	(3.2 S.G.)	3.2	(3.2 S.G.)
	TorqueFlite	2.7	2.9; 3.2 (3.2 S.G.)	2.9	3.2 (3.2 S.G.)
318-2, 8-cyl. ¹	3-spd. man. fl. shift	2.9	3.2 (3.2 S.G.)	2.9	3.2 (3.2 S.G.)
	4-spd. man. fl. shift OD	2.9	3.2 (3.2 S.G.)	2.9	3.2 (3.2 S.G.)
	TorqueFlite	2.7	2.4; 2.9; 3.2 (2.4; 2.7; 3.2 S.G.)	2.7	2.9; 3.2 (2.7; 3.2 S.G.)
360-2, 8-cyl.	TorqueFlite	2.4	2.7; 2.9; 3.2 (2.4; 2.7; 3.2 S.G.)	2.7	2.9; 3.2 (2.7; 3.2 S.G.)
360-4, 8-cyl. ^{3,4}	TorqueFlite	3.2	(3.2 S.G.)	N/A	N/A
High Altitude—over 4000' (N96 ⁶ required). Also available in low altitude areas.					
225-1, 6-cyl. ¹	TorqueFlite	3.2	(3.2 S.G.)	3.2	(3.2 S.G.)
318-2, 8-cyl. ¹	TorqueFlite	3.2	(3.2 S.G.)	3.2	(3.2 S.G.)
360-4, 8-cyl. ³	TorqueFlite	3.2	(3.2 S.G.)	N/A	N/A

California (N95⁶ required). Also available in States other than California.

225-1, 6-cyl. ¹	3-spd. man. col. shift ⁵	2.9	N/A	N/A	N/A
	3-spd. man. floor shift	2.9	N/A	N/A	N/A
	4-spd. man. fl. shift OD	3.2	(3.2 S.G.)	N/A	N/A
	TorqueFlite	3.2	2.9 (3.2 S.G.)	3.2	(3.2 S.G.)
318-2, 8-cyl. ¹	TorqueFlite	2.7	2.4; 2.9; 3.2 (2.4; 2.7; 3.2 S.G.)	2.7	2.9; 3.2 (2.7; 3.2 S.G.)
360-4, 8-cyl. ³	TorqueFlite	3.2	2.7 (2.7; 3.2 S.G.)	N/A	N/A

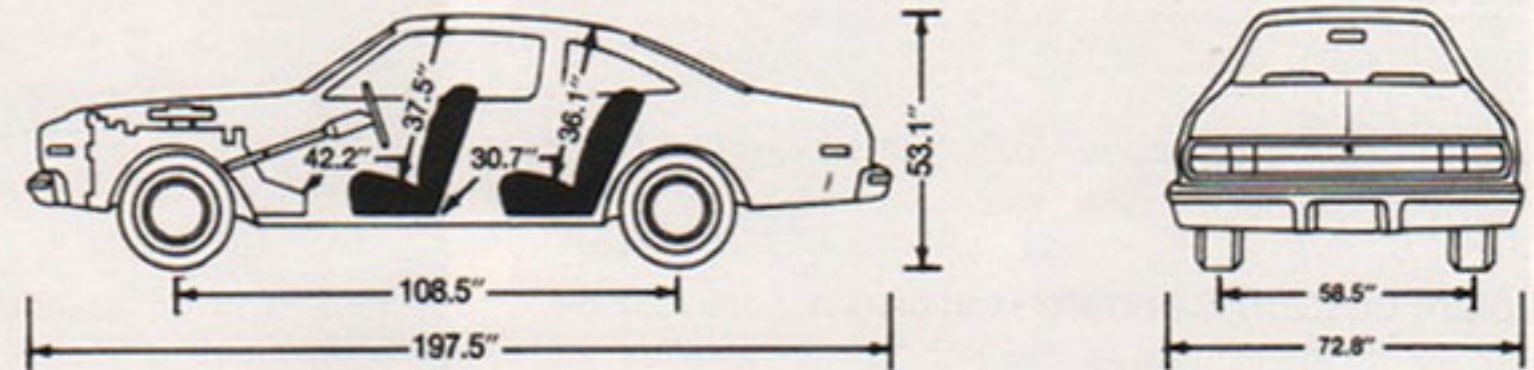
¹225 and 318—standard engines. ²Standard engine on Wagons. ³Available on 2-door models only. ⁴Includes Electronic Lean Burn System. ⁵Not available with Power Steering or on Premier 2- and 4-door models. ⁶N95/96 Required emissions control system and testing. S.G.—Sure Grip. N/A—Not available. OD—Overdrive.

Tire Availability	225		318		360		Wagons
	Volare, Volare Custom Sedans & Coupes	Volare Premier	Volare, Volare Custom Sedans & Coupes	Volare Premier	Volare, Volare Custom Sedans & Coupes	Volare Premier	
	D78 x 14 Polyester BSW ⁸	S	N/A	S	N/A	N/A	
DR78 x 14 glass-belted radial ¹ BSW ⁸	0	S	0	N/A	N/A	N/A	N/A
E78 x 14 polyester BSW ⁸	0 ²	N/A	0 ^{4,3}	N/A	S	N/A	N/A
ER78 x 14 glass-belted radial ¹ BSW ⁸	0	0 ³	0	S	0	S	N/A
ER78 x 14 steel-belted radial ¹ WSW	0	0	0	0	0	0	N/A
E70 x 14 glass-belted RWL	0	N/A	0	N/A	0	N/A	N/A
F78 x 14 glass-belted BSW ⁸	N/A	N/A	N/A	N/A	N/A	N/A	S
FR78 x 14 glass-belted radial ¹ BSW ⁸	0	0	0	0 ⁵	0 ⁵	0 ³	0
FR78 x 14 steel-belted radial ¹ WSW	0	0	0	0	0	0	0
GR78 x 14 steel-belted radial ¹ WSW	N/A	N/A	N/A	N/A	N/A	N/A	0

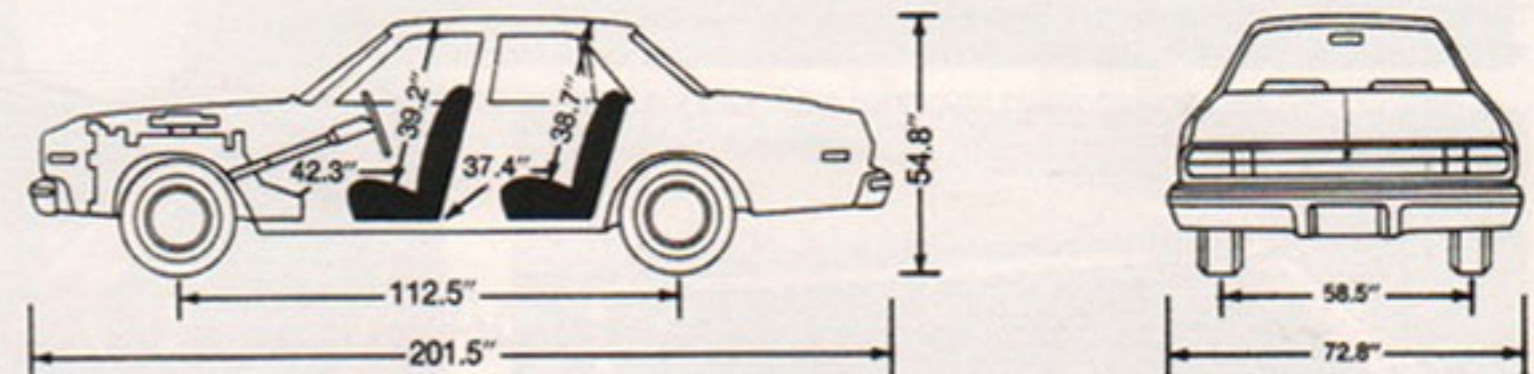
S—Standard. O—Optional. N/A—Not Available. ¹Power Steering required. ²Minimum size required on Volare Sedan with A/C. ³Minimum size required with AC. ⁴Minimum size required with N95/N96 on 4-door Sedan models without A/C. ⁵Minimum size required on 4-door Sedan with A/C. ⁶WSW—optional.

1977 Volare Dimensions

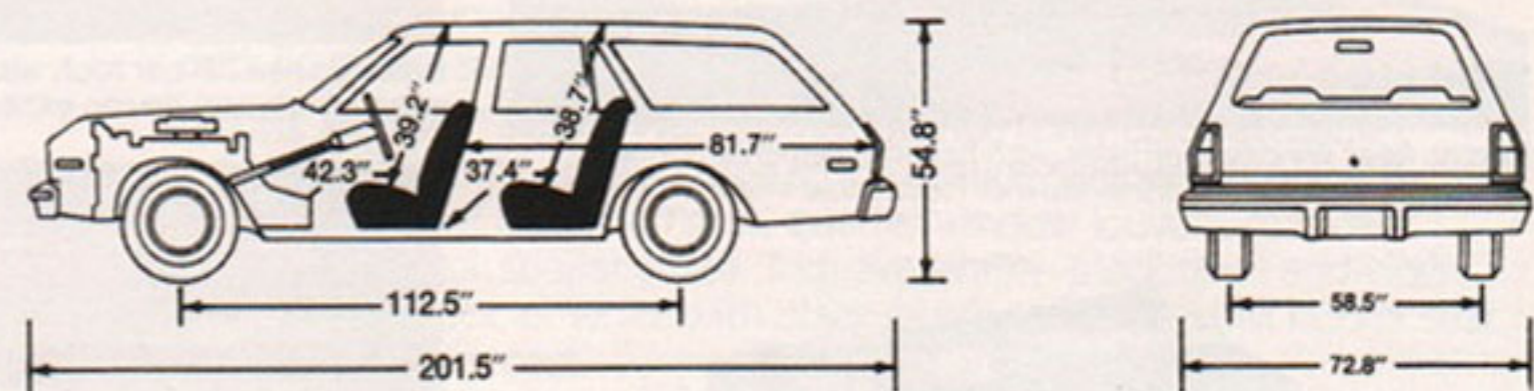
Volare Coupe



Volare Sedan



Volare Wagon



The Accent is on Fine Options and Accessories



Tilt Steering Wheel, shown here in three of its seven positions, adjusts up and down for easy entry and exit.



Automatic Speed Control lets you select and hold a steady speed for ease in highway driving.



Manually-operated sun roof lets the sun shine in, keeps the weather out when closed.



Electric Rear Window Defroster, with heating elements bonded to the glass, quickly clears window of frost, snow and ice.



Fantastic new "T" bar roof, with lift-out glass panels that open the way to fresh new driving excitement.



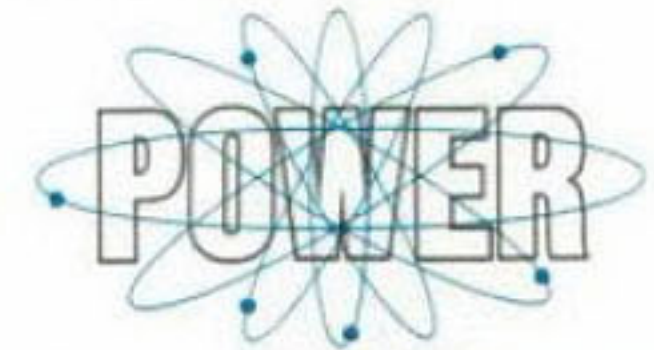
Space Maker Pak has a fold-down rear seat that creates extra room for luggage, sports equipment, etc.



Long Life Battery is a 500-amp powerhouse, the most dependable you can buy.



CB Radio is a dealer-installed option that the whole nation is talking about.



Power steering, power disc brakes, power windows, power door locks, power bench seat, power bucket seats.

Volare Options	Volare Coupe, Sedan	Volare Custom Coupe, Sedan	Volare Premier Coupe, Sedan	Volare Wagon	Volare Premier Wagon	Check List
Air Conditioning	0	0	0	0	0	
Armrest - Rear	0	S	S	0	S	
Axle - Sure-Grip Differential	0	0	0	0	0	
Battery - 500 amp - Long-Life	0	0	0	0	0	
Bumper Protection						
Bumper Guards - Front & Rear	0	0	0	0	0	
Protective Rub Strips - Front & Rear	0	0	0	0	0	
Cigarette Lighter	0	S	S	0	S	
Clock - Electric	0	0	S	0	0	
Console, available w/bucket seats and TorqueFlite	0	0	0	N/A	N/A	
Defogger - Rear Window - Blower Type	0	0	0	N/A	N/A	
Defroster - Rear Window - Electrically Heated	0	0	0	0	0	
Emissions Control System & Testing - N95 or N96	0	0	0	0	0	
Fuel Pacer System	0	0	0	0	0	
Gas Cap - Locking	0	0	0	0	0	
Glass - Tinted - All Windows	0	0	0	0	0	
Tinted - Windshield Only	0	0	0	0	0	
Hood Release - Inside	0	0	0	0	0	
Horns - Dual	0	0	S	0	0	
Lock - Glove Box	0	0	S	0	0	
Mats - Accessory Floor, Color-keyed	0	0	0	0	0	
Mirrors, Day/Night - Inside	0	0	S	0	0	
Mirror, Remote-control - Left	0	0	0	0	0	
Mirror, Remote-control - Left & Right	0	0	0	0	0	
Mirror, Remote-control - Dual Sport-styled (Coupes only)	0	0	0	N/A	N/A	
Moldings - Belt	0	S	S	0	S	
Door Edge Protectors	0	0	0	0	0	
Upper Door Frame (4-dr. models)	0	0	S	0	S	
Wheel Lip	0	N/A	N/A	0	N/A	
Power Disc Brakes - Front ¹ (Req'd with A/C on 6-cyl.)	0	0	S	S	S	
Power Bench Seat	0	0	N/A	0	0	
Power Bucket or 60/40 Split Bench Seat	0	0	0	0	0	
Power Door Locks	0	0	0	0	0	
Power Steering	0	0	S	0	0 ¹	
Power Windows	0	0	0	0	0	
Radio AM	0	0	0	0	0	
Radio AM/FM	0	0	0	0	0	
Radio AM/FM Stereo w/2 front, 2 rear speakers	0	0	0	0	0	
Radio AM/FM Stereo w/8-track Stereo Tape w/2 front, 2 rear speakers	0	0	0	0	0	
Rear Speaker - Single	0	0	0	0	0	
Space Saving Spare, includes carpeted trunk	0	0	N/C	N/A	N/A	
Speed Control - Automatic (Auto. trans. required)	0	0	0	0	0	
Steering Wheel - Luxury	0	0	S	0	0	
Steering Wheel - "Tuff"	0	0	0	0	0	
Steering Wheel - Tilt (Auto. trans. required)	0	0	0	0	0	
Sun Roof - Manually Operated (Coupes only)	0	0	0	N/A	N/A	
Suspension - Heavy-duty (power disc brake, req'd)	0	0	0	S	S	
T-Bar Roof (Coupes only)	0	0	0	N/A	N/A	
Trailer-Towing Package, Light-duty A-34	0	0	0	0	0	
Undercoating, w/Hood Silencer Pad	0	0	S	0	0	
Wheel Covers and Road Wheels						
Wheel Covers - Deluxe	0	0	N/A	0	0	
Wheel Covers - Premium	0	0	S	0	0	
Wheel Covers - Wire	0	0	0	0	0	
Road Wheels - Rallye	0	0	N/A	0	0	
Road Wheels - Chrome-styled	0	0	0	0	0	
Windshield Wipers - Deluxe	0	0	0	0	0	

0-Optional S-Standard N/A-Not Available N/C-No Charge Option ¹Std. with V8 engine.



Your Volare can be completely equipped for light-duty trailer-towing. See the Chrysler-Plymouth Trailer-Towing brochure for details.

Volare Accessory Groups

Road Runner Decor Group. Remote control mirrors - dual sport styled-chrome, Rallye wheel trim rings, wheel lip moldings.

Road Runner Package. E70 x 14 raised white letter tires, heavy-duty suspension, Rallye road wheels less trim rings, grille black out treatment, Road Runner decals and nameplate, body side tape stripe, rear deck lid stripe, special Road Runner "Beep-Beep" horn.

"Front Runner" Super Pak. Spitfire Orange (only color available), Road Runner multi colored tape stripe orange/yellow/flat black, front air spoiler, wheel opening flares, quarter window louvers, rear deck spoiler, rear deck spoiler stripe. Trim availability: black cloth-and-vinyl bench seat. Black, or white with black interior accents, vinyl bucket seat available at extra cost.

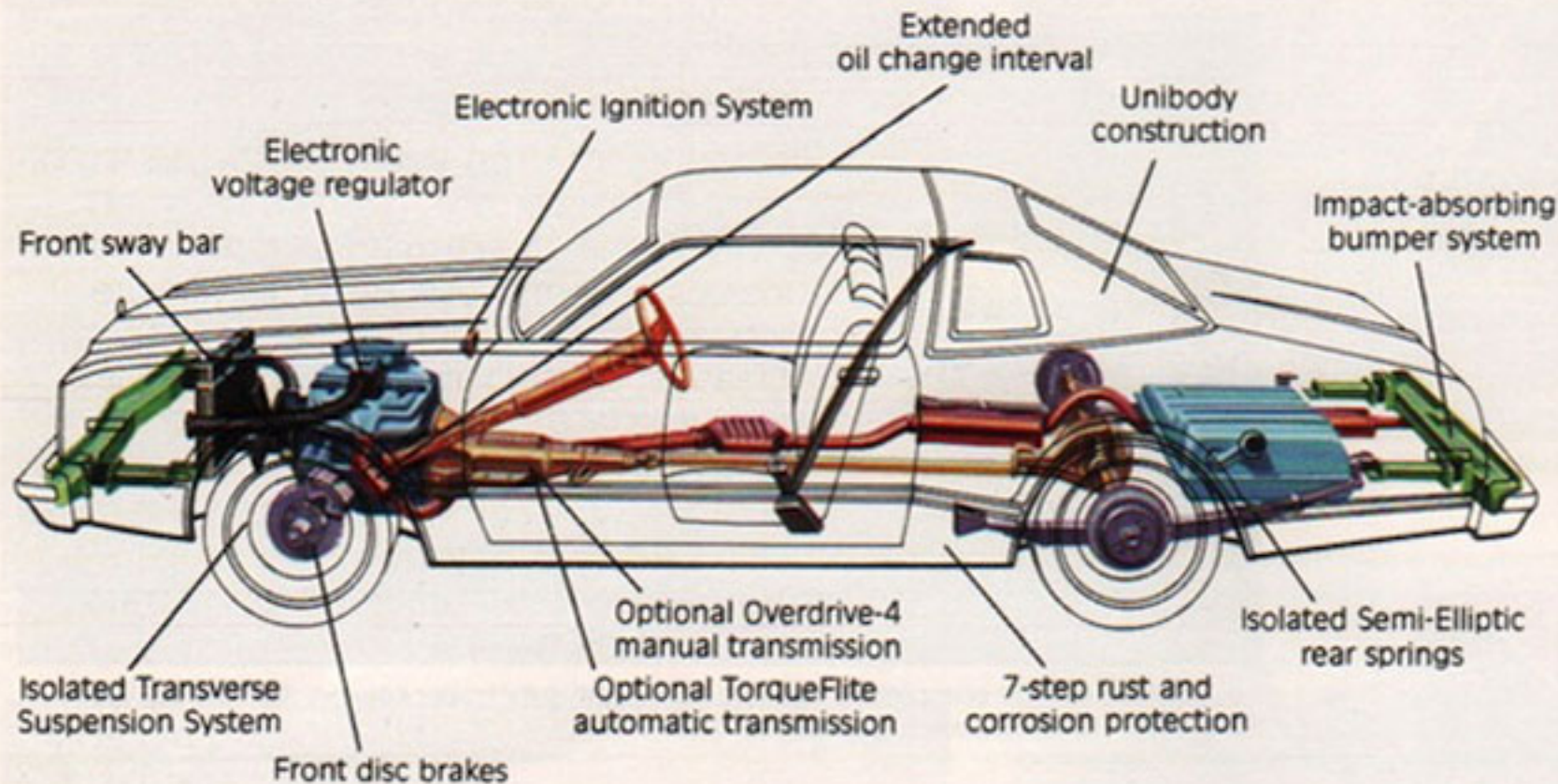
Space Maker Pak. Fold down rear seat and carpeted trunk dress-up.

Deluxe Insulation Package. Undercoating with hood silencer pad, special body sound insulation. (Standard on Premier Coupe and Sedan.)

Light Package. Fender-mounted turn signal indicators, trunk or cargo light, glove box light, ash receiver light, ignition switch light with time delay, map/courtesy light.

Protection Group. Door edge protectors, glove box lock (standard on Premier models except Wagons), inside hood release.

Plymouth Engineering: How it Works in Your Volaré, How it Works for You.



Unibody Construction. More than 3000 welds produce an all-welded unit of great structural integrity and strength. Dash panel and plenum chamber are a single stamping. An inner roof panel combines roof side rails, windshield and rear window headers and roof bows into a single panel. On 2-door models shoulder belt retractors are welded to this unit. High-strength low alloy steel is used to minimize weight of side door beams. Wheel openings are flared, enhancing rigidity of the fenders.

Electronic Ignition System. (See Page 19.)

Electronic Voltage Regulator. (See Page 19.)

Impact-Absorbing Bumper System. Protection against minor damage, both front and rear.

Front Disc Brakes. Standard equipment on all Volaré models, for smooth, sure stopping. Power front disc brakes are standard on all wagons and 8-cylinder models.

Front Sway Bar. Standard equipment on all Volarés and an integral part of Volaré's comfortable ride. (See diagram of total suspension system.)

Isolated Semi-Elliptic Rear Springs. Isolated from the rear axle by rubber spring-seat Iso-clamps and from the body by oval front bushings, as in our full-size cars. Helps cushion Volaré's smooth ride.

Optional 4-speed Manual Overdrive Transmission.** An important highway feature available with 225 Slant Six, 225 Super Six,* or 318 V-8 engines.

TorqueFlite Automatic Transmission. Rugged and reliable! Completely maintenance-free under normal driving conditions. No band adjustments, no fluid or filter replacement recommended.

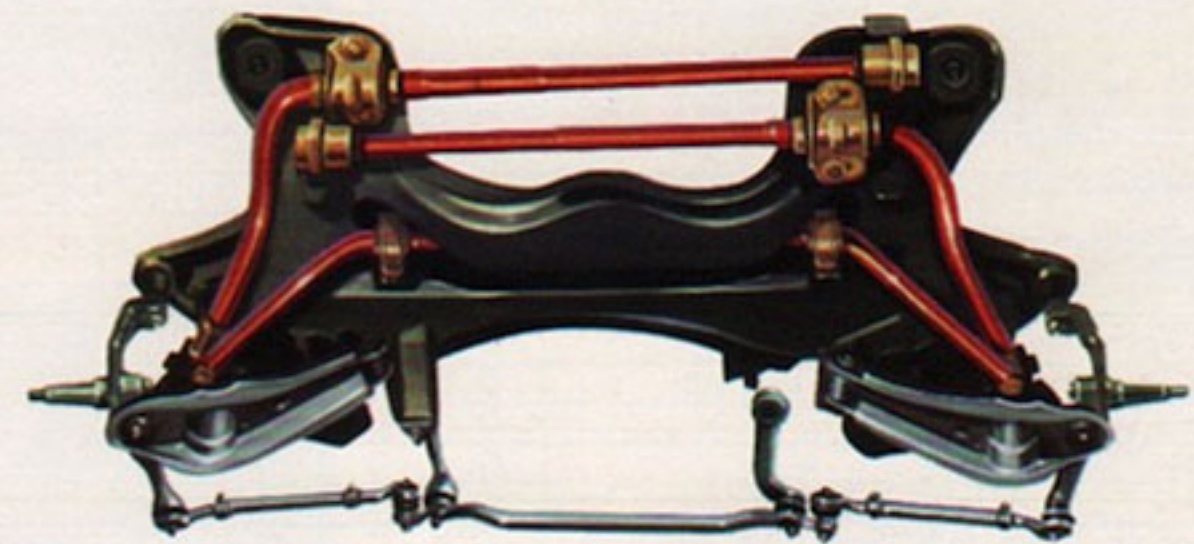
7-Step Rust and Corrosion Protection. The future looks bright for Chrysler-built cars. Every car body is thoroughly cleaned and coated with special chemicals in a 7-step dip-and-spray process to combat all forms of corrosion. Then two coats of tough epoxy primer are applied, baked and sanded. Finally, three coats of acrylic enamel are baked to a glossy, lasting luster.

Extended Oil Change Interval. Your 1977 Volaré needs even less maintenance, now that the oil change interval has been extended to 7500 miles, or six months of driving. It's another example of how Chrysler engineering is striving to reduce maintenance on its cars.

Isolated Transverse Suspension System. One big difference between Volaré and many other small cars is the way it rides.

Small car suspension systems are usually bolted directly to the chassis, often with only one set of rubber mounts. When you hit a bump, the shock travels from the wheels through the springs and chassis.

But Volaré's Isolated Transverse Suspension System is designed to swallow bumps. At the heart of the system lies the complex-looking element pictured below. It's called a "cross-member" and it separates the suspension system from the chassis with two sets of rubber mounts.



The cross-member sits just under the engine. On the bottom, the front torsion bars are attached with two thick rubber mounts. On the top, the Unibody is attached with four rubber mounts. Now when you hit a bump, the shock gets partially lost in the first set of rubber mounts, and partially lost in the second. So less of it gets to you.

Coupled with noise-reducing insulation, Volaré's Isolated Transverse Suspension System gives you a ride that's as smooth and comfortable as the ride in larger cars.

*Not available in California or at altitudes over 4000 feet.

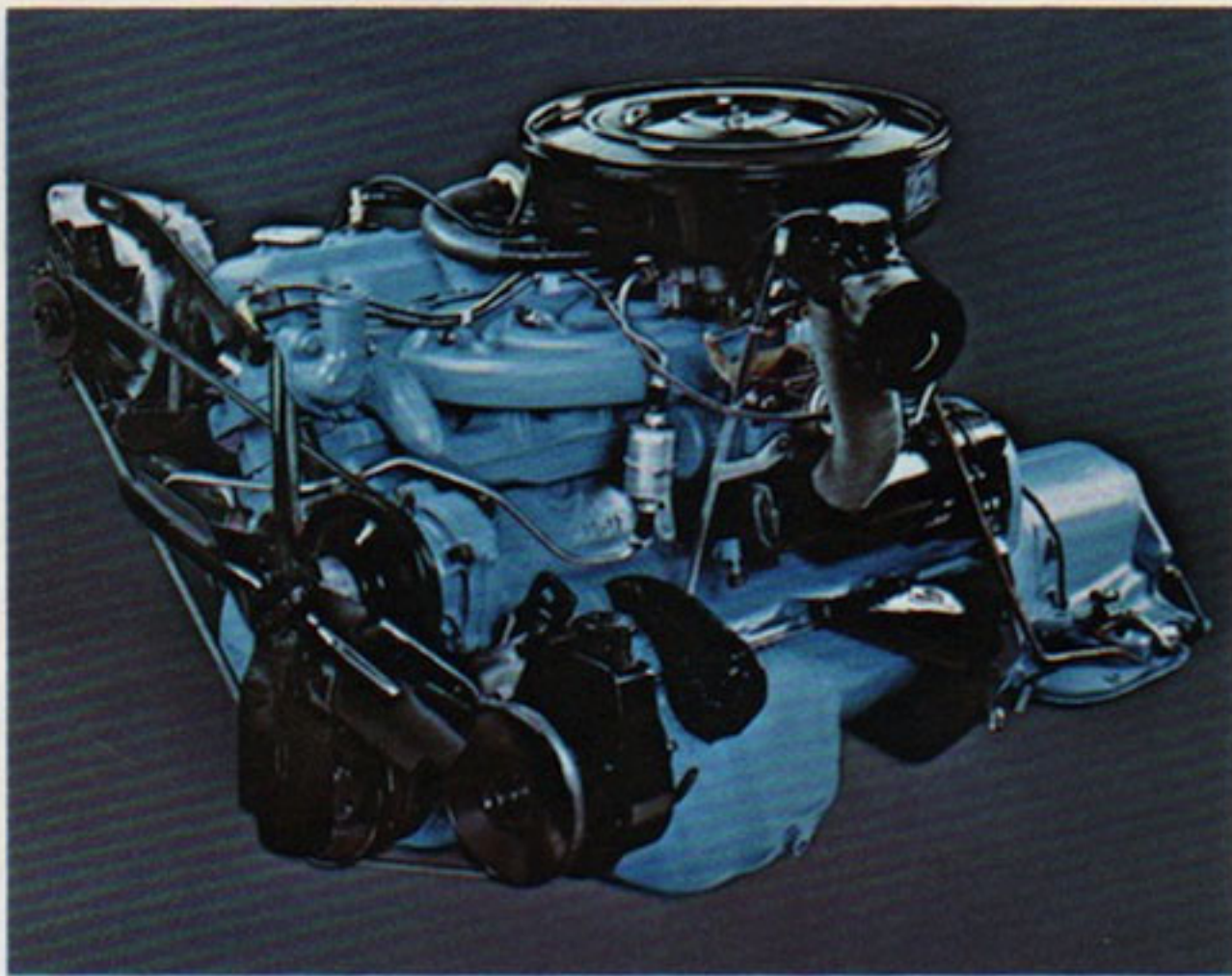
**Not available at altitudes over 4000 feet.

1977 Safety Features. Standard front disc brakes, foot-operated parking brake on all cars; power front disc brakes on Wagons and 8-cyl. models.

Seating Position and Visibility. The position of the seats above the floor and the placement of the steering wheel give a feeling of openness to the passenger compartment. Expansive glass area, plus cowl and belt line that are low in relation to driver's position, combine to produce excellent visibility.

Windshield Retention — Meets Federal regulatory requirements in 30 mph front impact test.

Serviceability. Great consideration has been given to simplifying the servicing process in all Volare models. For instance, Volare's modular instrument panel bezel can be removed by removing four screws.



Volare gets it together with a new 2-bbl. version of the 225 Slant Six engine. It's called the "Super Six!"*

One of the most popular engines Chrysler offers is the 225 1-barrel Slant Six. Now there's a 2-barrel version — the optional 225 2-bbl. Super Six, shown above — with ten more horsepower to give you peppy performance. (Standard on Wagons.) For those who prefer V-8 performance, there's the ever-popular 318 V-8 that's a standard 1977 Volare engine. Or choose the optional 360 2-bbl. V-8*

Sound Insulation and "Quiet" Systems. In addition to the low noise levels achieved through Volare's new fully-isolated suspension, the deluxe sound insulation system has extensive acoustical materials applied wherever wind noise or vibration can enter the passenger compartment. (Standard on Premier models, optional on others.)

*Not available in California or at altitudes above 4000 feet.

Chrysler Corporation leads the way in electronics for automobiles among all U.S. auto manufacturers.



Electronic Ignition System! The distributor used with electronic ignition has no points and no condenser. Result: no more ignition tune-ups in normal use. Helps deliver sure starting voltage in any weather. And can increase spark plug life up to 30,000 miles, under normal driving conditions, when unleaded fuel is used.



Electronic Voltage Regulator. Maintenance-free! Its electronic circuitry is sealed in tough epoxy — shock resistant, moisture-resistant and extremely durable.



Long Life Battery. The most dependable battery you can buy. This 500-amp battery requires only that you keep the water at proper level. Its long, reliable service is assured by heavy-duty construction, with a thermally insulated shield to protect against excessive engine heat.

High-Capacity Alternator. Helps prolong battery life by sending a charge to the battery even when engine is idling. Included with the optional electrically heated rear window defroster and air conditioning systems.

The computer-controlled Electronic Lean Burn System* is now standard on Volare's optional 360 4-bbl. V-8... the engine that thinks!



A totally new approach to engine control, the Electronic Lean Burn System employs a small computer, making it possible to use exceptionally lean mixtures during part-throttle operation... an average 18-to-1 air/fuel ratio. **The precise moment for spark plug firing is determined instantaneously by the Spark Control Computer.**

It continuously monitors the engine and adjusts for operating conditions. The result is satisfying performance and responsive acceleration!

*Not available in California or at altitudes over 4000 feet.
†Included in the Electronic Lean Burn System.

Hot new two-tone paint combinations for Volaré Coupes.



1977 Colors



NOTE: Due to occasional printing irregularities, the colors shown may vary from actual hues. See your Plymouth Dealer for accurate color chips.

*High Impact Paint Colors — Designed primarily for Coupe usage

All product illustrations and specifications are based on authorized information. Although descriptions are believed correct at publication approval, accuracy cannot be guaranteed. Some of the equipment shown on product illustrations is optional, at extra cost. Chrysler Corporation reserves the right to make changes from time to time, without notice or obligation, in prices, specifications, colors and materials, and to change or discontinue models.

Chrysler Corporation's Limited Warranty Basic Coverage

For the first 12 months or 12,000 miles of use, whichever occurs first, any part of this vehicle supplied by Chrysler, except tires, which proves defective in normal use will be repaired or replaced by the Selling Dealer using new or remanufactured parts. The Selling Dealer will perform any adjustment service required as a result of a manufacturing deficiency during the first 90 days of normal use. The owner is responsible for normal maintenance. See Selling Dealer for more details.



CHRYSLER

Plymouth



YOUR SIGNS FOR MOTORING SATISFACTION.

AUTOMOTIVE SALES DIVISION



CHRYSLER CORPORATION

Litho in U.S.A. 9-1-76 Form No. 81-005-7084